



Oblo™ | K-103B76-SANA

Touchless single-hole lavatory faucet with Kinesis® sensor technology, 0.5 gpm

Features

- Kinesis® technology with concealed sensor allows for a clean aesthetic and provides extraordinarily accurate and reliable actuation in varying installation environments
- Below-counter valving reduces the faucet footprint and provides easier service
- Design-forward aesthetic for commercial bathroom spaces
- 0.5 gpm (1.9 lpm) maximum flow rate
- Requires battery, plug-in AC power, or Hybrid Energy System (each sold separately)
- On-demand usage with 30-second max. continual run cycle to prevent vandalism and save water
- Vandal-resistant aerator
- 18" (457 mm) stainless steel braided flexible supply hose for easy installation
- Concealed mechanical mixer sold separately
- Complies with the Safe Drinking Water Act (SDWA)
- Box includes: Spout assembly, grid drain, control box assembly, supply hose, and standard mounting hardware



Available Colors/Finishes

Color tiles intended for reference only.

- CP Polished Chrome
- BN Vibrant Brushed Nickel
- BL Matte Black
- 2MB Vibrant Brushed Moderne Brass



1-800-4KOHLER (1-800-456-4537)

Kohler Co. reserves the right to make revisions without notice to product specifications.

For the most current specification sheet, go to www.kohler.com USA or www.kohler.ca Canada.

4-15-2026 5:34 - US-CA

THE BOLD LOOK
OF **KOHLER**

Codes/Standards

ADA, OBC, CSA B651 compliant when installed to the specific requirements of these regulations.

ADA CSA B651 OBC

ASME A112.18.1/CSA B125.1
 NSF/ANSI/CAN 372
 NSF/ANSI/CAN 61
 DOE - Energy Policy Act 1992
 California Energy Commission (CEC)
 ADA
 ICC/ANSI A117.1
 CSA B651
 OBC

Technical Information

All product dimensions are nominal.

Spout

Spout Reach: 4-7/8" (124 mm)

Flow Rate

Faucet Flow Rate: 0.5 gpm (1.9 l/min)

Valves

Included Valves: Thermostatic Mixer, Volume Control

Material

- Brass spout
- Cast brass valve

Recommended Products/Accessories

K-23726 Drain treatment

K-23723 Faucet cleaner

Required Products/Accessories

- K-13480-A AC single supply, North American outlets
- or
- K-13481-A Multi-outlet power supply, North American outlets
- or
- 1359812 Dc Power Unit
- or
- 1377524 Powercell Assembly

Technology

- Kinesis® sensor technology offers on-demand detection for maximum water savings

Required Electrical Service

One dedicated circuit required, protected with Class A Ground-Fault Circuit-Interrupter (GFCI). Outside North America, this device may be known as a Residual Current Device (RCD).

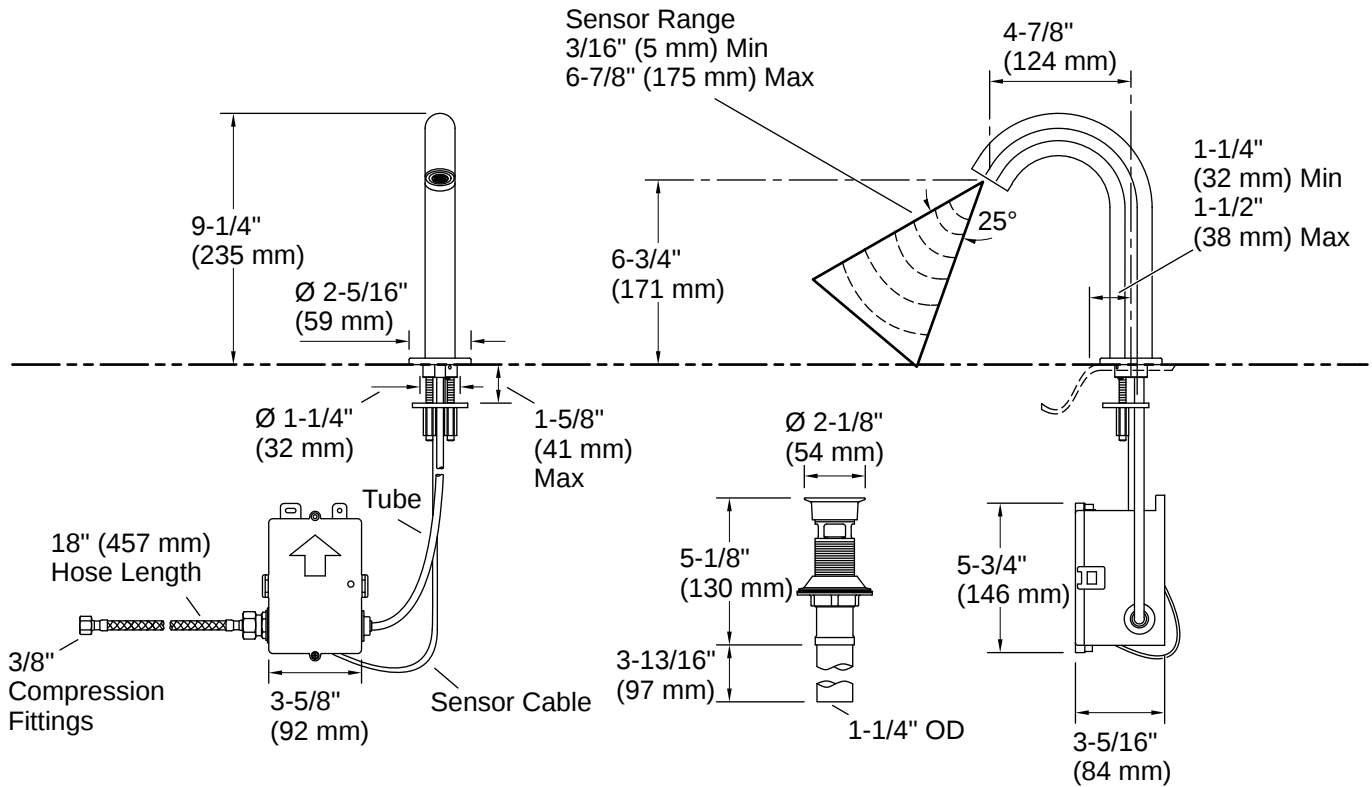
120/240 V, 50/60 Hz

Warranty

See website for detailed warranty information.

KOHLER® One-Year Limited Warranty





Installation

- Single-hole mounting

Installation Notes

Install this product according to the installation instructions.

A 1-1/4" (32 mm) minimum to 1-1/2" (38 mm) maximum diameter mounting hole is required.

The minimum distance between the back of the faucet spout and the wall must be 1-3/4" (44 mm). This will allow proper clearance for setscrew access.

The maximum distance between the bathroom sink basin edge to the base of the faucet spout must be 1-3/4" (44 mm).

This product requires an AC power supply (not included).

ADA, OBC, CSA B651 compliant when installed to the specific requirements of these regulations.

