



# Rite-Temp® | K-10350

Deep rough-in kit

## Features

- Includes deep rough-in kit complete
- Universal design works with all trims for K-8305 and K-28305 cartridges



## Available Colors/Finishes

*Color tiles intended for reference only.*

<sup>NA</sup> NA Not Applicable



---

## Codes/Standards

*None Applicable*

---

## Valves

Required Valve:                      Pressure Balance

---

## Material

- Premium materials selected for long-term reliability and resistance to wear
- 

## Recommended Products/Accessories

K-8305 Pressure-balancing cartridge

---

## Warranty

*See website for detailed warranty information.*

KOHLER® Faucet Lifetime Limited Warranty

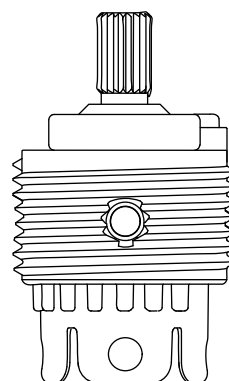
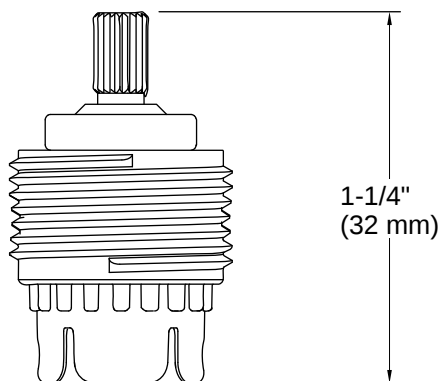
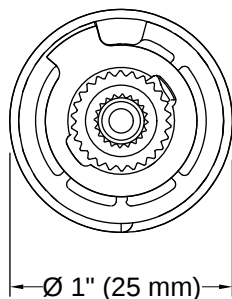


1-800-4KOHLER (1-800-456-4537)

Kohler Co. reserves the right to make revisions without notice to product specifications.

For the most current specification sheet, go to [www.kohler.com](http://www.kohler.com) USA or [www.kohler.ca](http://www.kohler.ca) Canada.

4-15-2026 3:4 - US-CA



## Installation

- Increases K-8305 or K-28305 cartridge rough-in depth by 3/4"

## Installation Notes

*Install this product according to the installation instructions.*

