



Triton® Bowe® | K-100T70-4AKA

1.0 gpm monoblock gooseneck bathroom sink faucet with aerated flow and lever handles, drain not included

Features

- Quarter-turn washerless ceramic disc valves
- Vandal-resistant lever handles
- Swivel/rigid gooseneck spout
- Lower flow aerator options are available
- 1.0 gal/min (3.8 l/m) maximum flow rate at 60 psi (4.14 bar).
- Vandal-resistant aerated outlet
- KOHLER® ceramic disc valves exceed industry longevity standards for a lifetime of durable performance
- Less drain and lift rod
- Complies with the Safe Drinking Water Act (SDWA)



Sustainability



Available Colors/Finishes

Color tiles intended for reference only.

- CP Polished Chrome



1-800-4KOHLER (1-800-456-4537)
Kohler Co. reserves the right to make revisions without notice to product specifications.
For the most current specification sheet, go to www.kohler.com USA or www.kohler.ca Canada.
4-15-2026 5:20 - US-CA

THE BOLD LOOK
OF **KOHLER**®

Codes/Standards

ADA, OBC, CSA B651 compliant when installed to the specific requirements of these regulations.



ADA CSA B651 OBC

ASME A112.18.1/CSA B125.1
NSF/ANSI/CAN 372
NSF/ANSI/CAN 61
DOE - Energy Policy Act 1992
EPA WaterSense®
NSF/ANSI/CAN 61|NSF/ANSI/CAN 372
ADA
ICC/ANSI A117.1
CSA B651
OBC

Recommended Products/Accessories

K-23723 Faucet cleaner

Warranty

See website for detailed warranty information.

KOHLER® One-Year Limited Warranty

Technical Information

All product dimensions are nominal.

Handle

Handle Style/ Type: Lever

Spout

Spout Reach: 5-3/16" (132 mm)

Flow Rate

Faucet Flow Rate: 1 gpm (3.8 l/min)

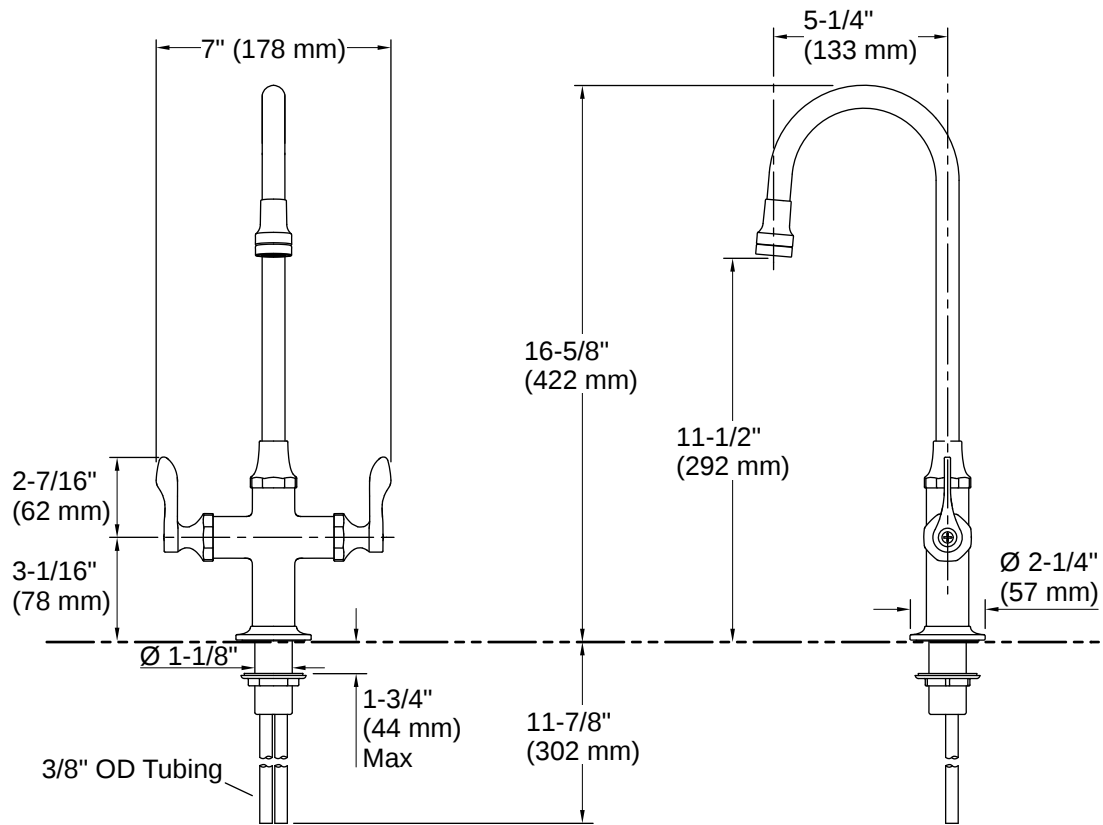
Valves

Included Valves: Ceramic disc, Thermostatic Mixer

Material

- Brass
- Brass valve bodies
- Solid-brass construction for durability and reliability





Installation

- Single-hole installation
- Supply line sold separately

Installation Notes

Install this product according to the installation instructions.

ADA compliant for handles only.

ADA, OBC, CSA B651 compliant when installed to the specific requirements of these regulations.

