

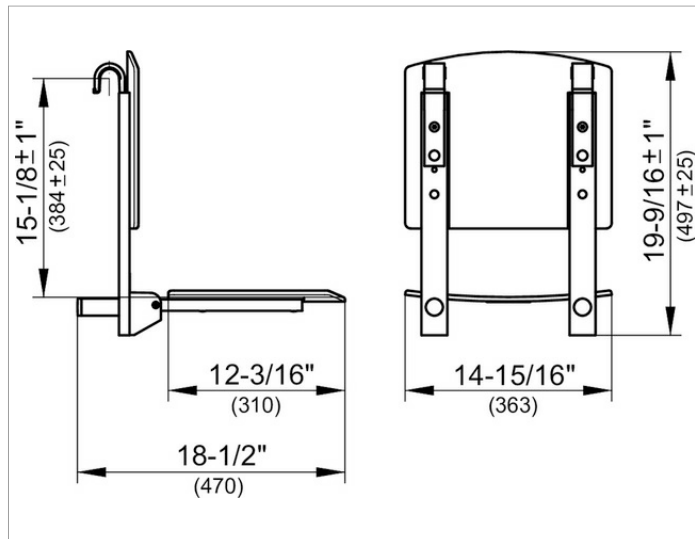
**Plan Care**

**35981010037 Tip-up seat**

**PRODUCT**



**DRAWING**



**PRODUCT ATTRIBUTES**

tip-up, for rail system  
with back rest

**SURFACE**

chrome-plated/dark grey (RAL 7021)

**SPECIFICATIONS**

KEUCO PLAN CARE Tip-up seat 35981010037  
tip-up seat in chrome-plated/dark-grey (RAL 7021)  
made from polypropylene  
in esthetic, practical design, for rail system  
safe seating arrangement in the shower  
anti-static, easy to clean  
plastic brackets for mounting onto support grip/ hand bar and plastic  
buffer onto wall tiles  
to tilt upwards, seat can carry weight up to 253 Lb  
width 14-5/16' (363 mm),  
length 12-3/16' (310 mm),  
hight 19-9/16' (497 mm).

For completion necessary:  
Articles from the Plan Care rail system  
(Art. no. 35906, 35908, 35911, 35914, 35915)

This product is no stronger than the fixings and wall structure to which it  
is attached and it must  
be firmly secured to function as intended!

**Warranty:** KEUCO products are covered by a 5-year manufacturer's warranty, in effect from the date of purchase. During this time, proven product defects will be remedied free of charge. Warranty claims must be filed in writing, including a detailed description of the defect immediately after a defect has occurred. For a copy of our detailed product warranty policy, please contact us at office-usa@keuco.com.

**Installation:** KEUCO products must be installed by a qualified professional in accordance with the respective installation guidelines and any applicable federal / local building codes and regulations.