

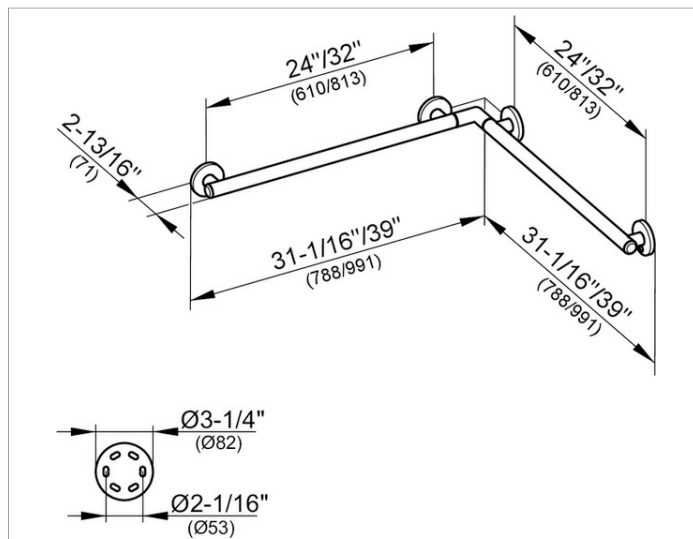
Plan Care

35911012432 Corner rail for shower/bath

PRODUCT



DRAWING



PRODUCT ATTRIBUTES

may be used on the left or right

SURFACE

chrome-plated

SPECIFICATIONS

KEUCO PLAN CARE corner rail for shower/bath 35911012432

High shine chrome-plate corner rail for shower/bath in esthetic, practical and ergonomic Design especially for the shower and bath area used as Support help up to 253 Lb load capacity, anti-static, easy to clean

Base measurement 24' / 32' (610 mm / 813 mm)

Pipe diameter 1-5/16' (33 mm),

Rosette Diameter 3-1/4' (82 mm),

horizontal side Length 31-1/16' and 39' (788 mm / 991 mm)

Projection 2-13/16' (71 mm),

The Support handle will be at 12 places discretely mounted

May be combined with tip-up seat with backrest

(Art. no. 35981)

ADA Compliant

This product is no stronger than the fixings and wall structure to which it is attached and it must be firmly secured to function as intended!

Warranty: KEUCO products are covered by a 5-year manufacturer's warranty, in effect from the date of purchase. During this time, proven product defects will be remedied free of charge. Warranty claims must be filed in writing, including a detailed description of the defect immediately after a defect has occurred. For a copy of our detailed product warranty policy, please contact us at office-usa@keuco.com.

Installation: KEUCO products must be installed by a qualified professional in accordance with the respective installation guidelines and any applicable federal / local building codes and regulations.