

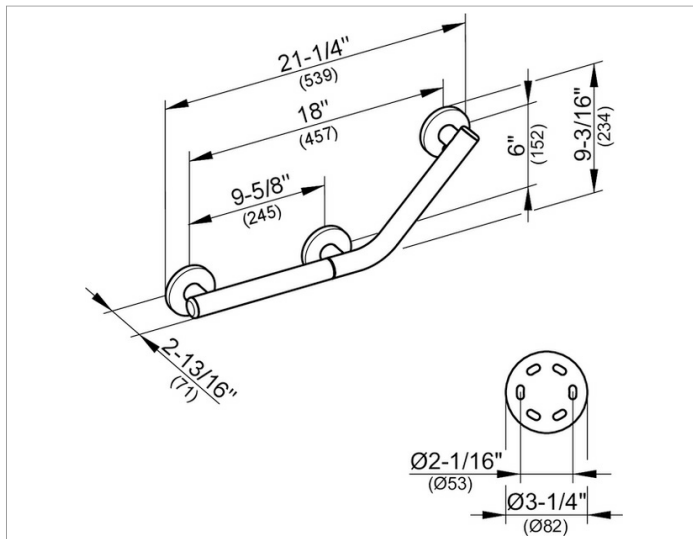
Plan Care

35907011801 Angle bar 135°

PRODUCT



DRAWING



SURFACE

chrome-plated

SPECIFICATIONS

KEUCO PLAN CARE Angel bar 135° 35907011801
 High shine chrome-plate
 in esthetic, practical and ergonomic Design
 right hand,
 diagonal Rail right hand side
 especially for WC- and Bath- place as support help up to 253 Lb load
 capacity,
 anti-static,
 easy to clean
 Outside measurement 21-1/4' / 9-3/16' (539 mm / 234 mm),
 Pipe diameter 1-5/16' (33 mm),
 3 Rosettes Diameter 3-1/4' (82 mm),
 horizontal Base measurement 9-5/8' (245 mm),
 diagonal Base measurement 6' (152 mm),
 Projection 2-13/16' (71 mm),
 The Support handle will be at 9 places discretely mounted
 ADA Compliant

This product is no stronger than the fixings and wall structure to which it is attached and it must be firmly secured to function as intended!

Warranty: KEUCO products are covered by a 5-year manufacturer's warranty, in effect from the date of purchase. During this time, proven product defects will be remedied free of charge. Warranty claims must be filed in writing, including a detailed description of the defect immediately after a defect has occurred. For a copy of our detailed product warranty policy, please contact us at office-usa@keuco.com.

Installation: KEUCO products must be installed by a qualified professional in accordance with the respective installation guidelines and any applicable federal / local building codes and regulations.