

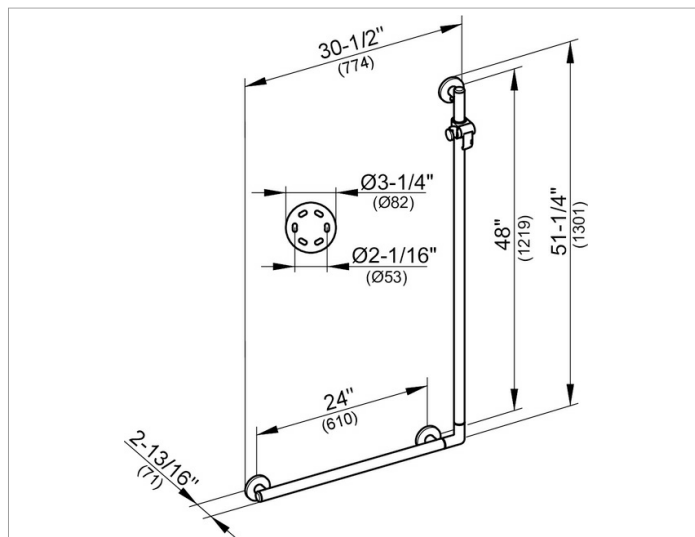
Plan Care

35906012448 Angle bar 90°

PRODUCT



DRAWING



PRODUCT ATTRIBUTES

for use as shower rail
complete with hand-shower bracket
may be used on the left or right

SURFACE

chrome-plated

SPECIFICATIONS

KEUCO PLAN CARE Angle bar 90° 35906012448
High shine chrome-plate 90° angle bar
in esthetic, practical and ergonomic Design
may be used on the left or right
for use as shower rail up to 253 Lb load capacity,
complete with shower support bracket,
anti-static,
easy to clean
Outside measurement 24' / 48' (610 mm / 1219 mm),
Pipe diameter 1-5/16' (33 mm),
Rosette Diameter 3-1/4' (82 mm),
with a Total Width from 30-1/2' (774 mm),
with a Total Height of 51-1/4' (1301 mm),
Projection 2-13/16' (71 mm),
ADA Compliant

May be combined with tip-up seat with backrest
(Art. no. 35981)

This product is no stronger than the fixings and wall structure to which it
is attached and it must
be firmly secured to function as intended!

Warranty: KEUCO products are covered by a 5-year manufacturer's warranty, in effect from the date of purchase. During this time, proven product defects will be remedied free of charge. Warranty claims must be filed in writing, including a detailed description of the defect immediately after a defect has occurred. For a copy of our detailed product warranty policy, please contact us at office-usa@keuco.com.

Installation: KEUCO products must be installed by a qualified professional in accordance with the respective installation guidelines and any applicable federal / local building codes and regulations.