

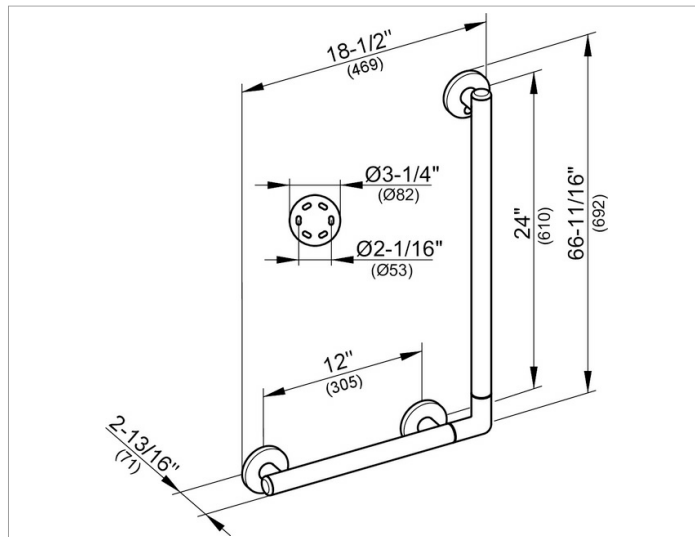
Plan Care

35906011224 Angle bar 90°

PRODUCT



DRAWING



PRODUCT ATTRIBUTES

may be used on the left or right

SURFACE

chrome-plated

SPECIFICATIONS

KEUCO PLAN CARE angle bar 90° 35906011224

May be used on the left or right

High shine chrome-plated

in esthetic, practical and ergonomic Design,

vertical rail right hand side especially for WC-place as Support help,

Getting up and down up to 253 Lb load capacity,

anti-static,

easy to clean

Outside measurement 12' / 24' (305 mm / 610 mm)

Pipe diameter 1-5/16' (33 mm),

3 Rosettes Diameter 3-1/4' (82 mm),

with a Total Width from 18-1/2' (469 mm),

with a Total Height of 66-11/16' (692 mm),

Projection 2-13/16' (71 mm),

ADA Compliant

Warranty: KEUCO products are covered by a 5-year manufacturer's warranty, in effect from the date of purchase. During this time, proven product defects will be remedied free of charge. Warranty claims must be filed in writing, including a detailed description of the defect immediately after a defect has occurred. For a copy of our detailed product warranty policy, please contact us at office-usa@keuco.com.

Installation: KEUCO products must be installed by a qualified professional in accordance with the respective installation guidelines and any applicable federal / local building codes and regulations.