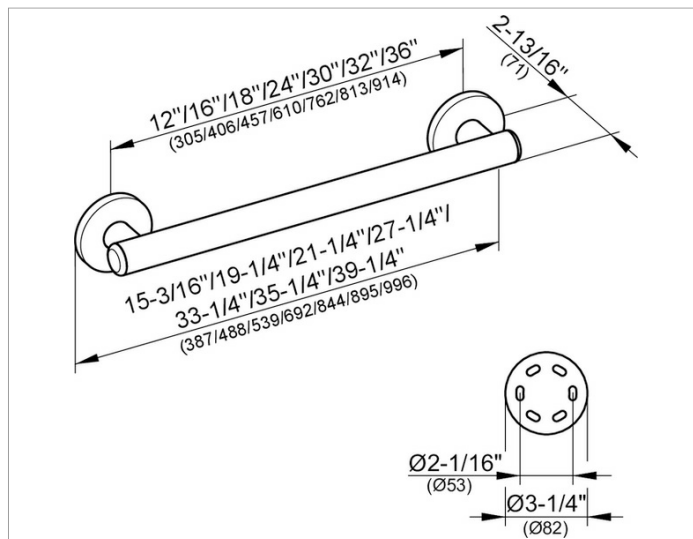


**Plan Care**  
**35901013000 Support rail**

**PRODUCT**



**DRAWING**



**PRODUCT ATTRIBUTES**

for horizontal or vertical installation

**SURFACE**

chrome-plated

**SPECIFICATIONS**

KEUCO PLAN CARE grab rail 35901013000  
 High shine chrome-plate grab rail  
 in esthetic, practical and ergonomic Design  
 For horizontal or vertical Fitting up to 253 Lb load capacity,  
 anti-static,  
 easy to clean  
 Pipe diameter 1-5/16" (33 mm),  
 Rosette Diameter 3-1/4" (82 mm),  
 Base measurement 30" (762 mm),  
 with a Total Width of 33-1/4" (844 mm)  
 Projection 2-13/16" (71 mm),  
 Wall to inside edge measurement 1-1/2" (38 mm).  
 The Support handle will be at 6 places discretely mounted,  
 Can't be combined with a shower seat  
 ADA Compliant

This product is no stronger than the fixings and wall structure to which it is attached and it must be firmly secured to function as intended

**Warranty:** KEUCO products are covered by a 5-year manufacturer's warranty, in effect from the date of purchase. During this time, proven product defects will be remedied free of charge. Warranty claims must be filed in writing, including a detailed description of the defect immediately after a defect has occurred. For a copy of our detailed product warranty policy, please contact us at office-usa@keuco.com.

**Installation:** KEUCO products must be installed by a qualified professional in accordance with the respective installation guidelines and any applicable federal / local building codes and regulations.