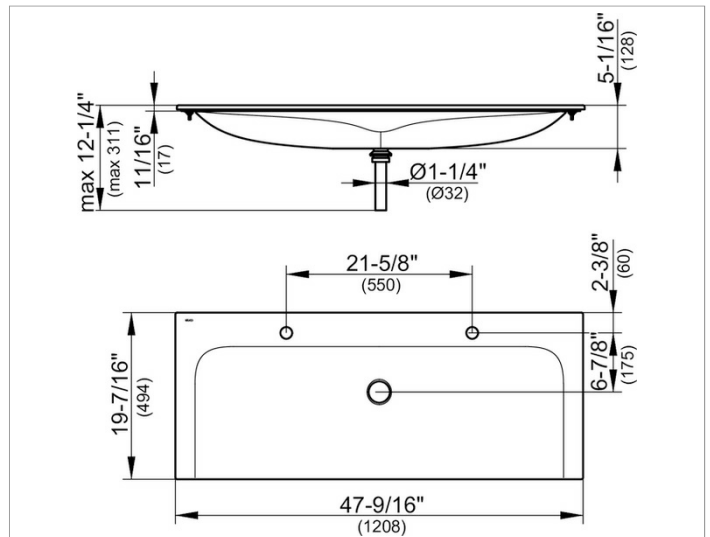


**Plan**  
**32980311252 Ceramic double-washbasin**

**PRODUCT**



**DRAWING**



**PRODUCT ATTRIBUTES**

2 x single tap hole, without overflow,  
 with CleanPlus surface and basin waste in polished chrome  
 (art. no. 59904)

**SURFACE**

white

**DIMENSION**

47,44 x ,67 x 19,41 "

**Warranty:** KEUCO products are covered by a 5-year manufacturer's warranty, in effect from the date of purchase. During this time, proven product defects will be remedied free of charge. Warranty claims must be filed in writing, including a detailed description of the defect immediately after a defect has occurred. For a copy of our detailed product warranty policy, please contact us at [office-usa@keuco.com](mailto:office-usa@keuco.com).

**Installation:** KEUCO products must be installed by a qualified professional in accordance with the respective installation guidelines and any applicable federal / local building codes and regulations.