

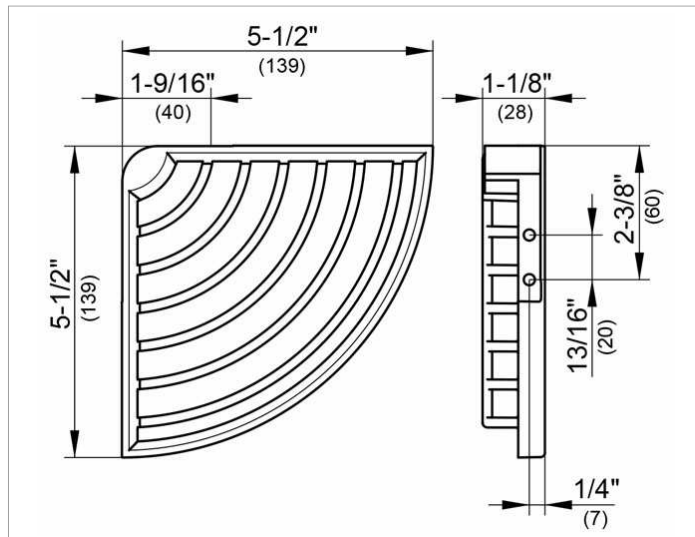
Shower shelves

2494301000 Soap wire basket for corner installation

PRODUCT



DRAWING



PRODUCT ATTRIBUTES

removable, with concealed fastening screws

SURFACE

chrome-plated

SPECIFICATIONS

KEUCO SOAP WIRE BASKET for corner installation, wall mounted, 2494301000
 chrome-plated soap wire basket for corner installation in a functional design,
 easy to clean, removable
 leg length 5-1/2", height 1-1/8",
 with concealed fastening screws
 incl. corrosion-free mounting material

Warranty: KEUCO products are covered by a 5-year manufacturer's warranty, in effect from the date of purchase. During this time, proven product defects will be remedied free of charge. Warranty claims must be filed in writing, including a detailed description of the defect immediately after a defect has occurred. For a copy of our detailed product warranty policy, please contact us at office-usa@keuco.com.

Installation: KEUCO products must be installed by a qualified professional in accordance with the respective installation guidelines and any applicable federal / local building codes and regulations.