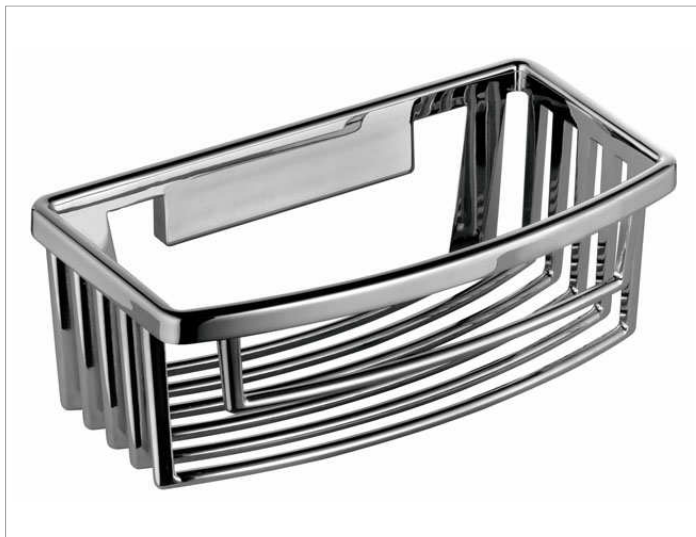


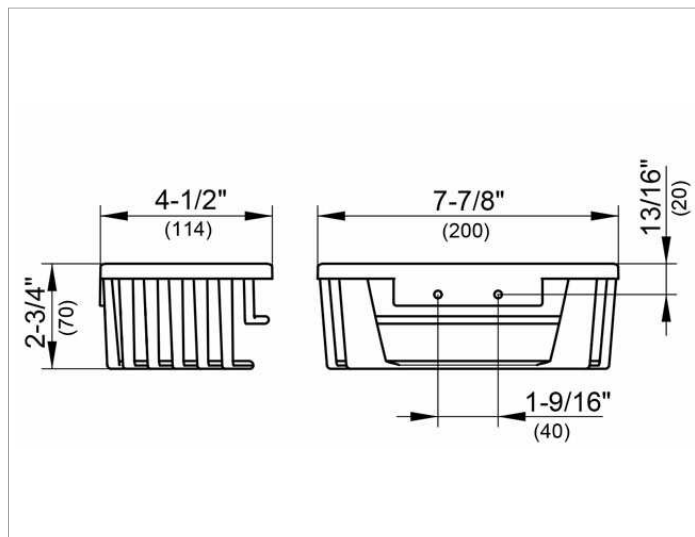
**Shower shelves**

24942010100 Sponge wire basket

**PRODUCT**



**DRAWING**



**PRODUCT ATTRIBUTES**

removable, with concealed fastening screws

**SURFACE**

chrome-plated

**SPECIFICATIONS**

KEUCO SPONGE WIRE BASKET, wall mounted, 24942010100  
 chrome-plated sponge wire basket in a functional design,  
 easy to clean, removable,  
 depth 4-1/2", width 7-7/8", height 2-3/4"  
 distance between bore holes 1-9/16"  
 with concealed fastening screws  
 Delivery incl. corrosion-free mounting material

**Warranty:** KEUCO products are covered by a 5-year manufacturer's warranty, in effect from the date of purchase. During this time, proven product defects will be remedied free of charge. Warranty claims must be filed in writing, including a detailed description of the defect immediately after a defect has occurred. For a copy of our detailed product warranty policy, please contact us at [office-usa@keuco.com](mailto:office-usa@keuco.com).

**Installation:** KEUCO products must be installed by a qualified professional in accordance with the respective installation guidelines and any applicable federal / local building codes and regulations.