

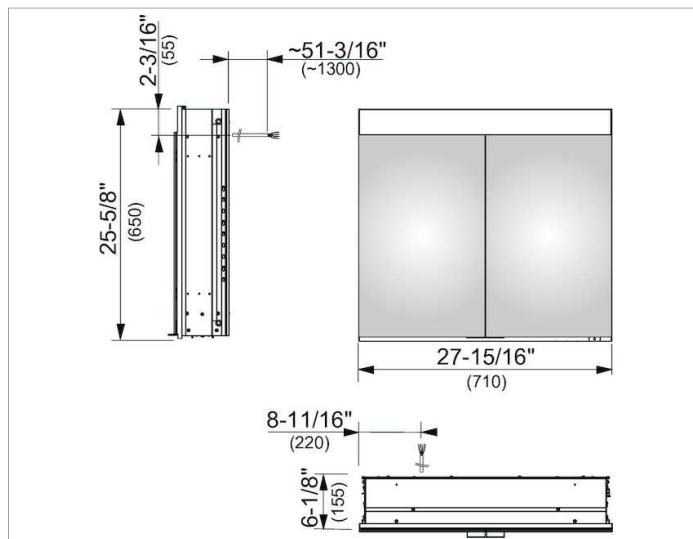
Edition 400

21511171351 Mirror cabinet

**PRODUCT**



**DRAWING**



**PRODUCT ATTRIBUTES**

for recessed installation,  
 1 light color, 4000 kelvin (neutral white)  
 2 hinged double sided crystal mirrored doors,  
 Body: aluminum silver anodized  
 interior rear wall mirrored  
 Operation:  
 key panel with capacitive touch sensor,  
 optional to be operated via the light switch  
 Illumination:  
 LED 26 watt (lifespan > 30.000 hours)  
 infinitely dimmable  
 EEK: ,

**EQUIPMENT**

- 2 sockets
- 3 adjustable glass shelves
- storage box with slidable glass lid
- interior lighting
- soft-closing doors

**SURFACE**

silver anodized

**DIMENSION**

27,95 x 25,59 x 6,06 "

**SPECIFICATIONS**

KEUCO Edition 400 Mirror cabinet 21511171351  
 High quality Mirror cabinet in elegant design

for recessed installation,  
 1 light color, 4000 kelvin (neutral white)  
 2 hinged double sided crystal mirrored doors,  
 Body: aluminium silver anodized  
 interior rear wall mirrored

Operation:  
 key panel with capacitive touch sensor,  
 optional to be operated via the light switch

Illumination:  
 LED 26 watt (lifespan > 30.000 hours)  
 infinitely dimmable

- 2 sockets
- 3 adjustable glass shelves
- storage box with slidable glass lid
- interior lighting
- soft-closing doors

28" x 25-9/16" x 6-1/16"

silver anodized

**Warranty:** KEUCO products are covered by a 5-year manufacturer's warranty, in effect from the date of purchase. During this time, proven product defects will be remedied free of charge. Warranty claims must be filed in writing, including a detailed description of the defect immediately after a defect has occurred. For a copy of our detailed product warranty policy, please contact us at office-usa@keuco.com.

**Installation:** KEUCO products must be installed by a qualified professional in accordance with the respective installation guidelines and any applicable federal / local building codes and regulations.