

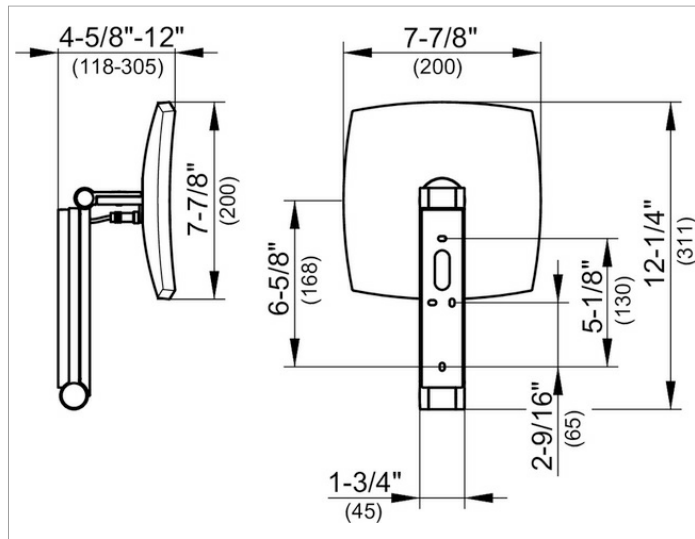
Cosmetic mirrors

17613019053 Cosmetic mirror

PRODUCT



DRAWING



PRODUCT ATTRIBUTES

illuminated, 1 light color 6000 kelvin (day light), operation by light switch, in-wall cable layout, on pivoted arm adjustable in three dimensions, one-sided mirror, magnification factor x 5

Operation:

Light switch (not included in delivery)

Power supply:

Connection via wall socket

12 V in-wall adapter, input 110 V,

standby consumption: 0 watt

Illumination:

LED 7 watt (lifespan > 50.000 hours)

SURFACE

chrome-plated

SPECIFICATIONS

KEUCO iLook_move cosmetic mirror, 17613019053

high quality cosmetic mirror, square, chrome-plated, illuminated with 1 light color 6000 kelvin (day light), operated by light switch, in-wall cable layout on pivoted rail,

surface wall-mounted with 4 fixing points

for an optimal load distribution

adjustable in three dimensions, one-sided mirror, concave

magnification factor x 5,

Height wall mounting 7-1/8", Width ca. 1-3/4",

max. Height ca. 19-11/16", External dimensions 7-7/8" x 7-7/8",

max. depth ca. 12",

delivery includes in-wall power supply and lowvoltage

connection cable (19-11/16")

Power supply via wall socket

12 V in-wall adapter, input 110 V,

standby consumption: 0 watt

Warranty: KEUCO products are covered by a 5-year manufacturer's warranty, in effect from the date of purchase. During this time, proven product defects will be remedied free of charge. Warranty claims must be filed in writing, including a detailed description of the defect immediately after a defect has occurred. For a copy of our detailed product warranty policy, please contact us at office-usa@keuco.com.

Installation: KEUCO products must be installed by a qualified professional in accordance with the respective installation guidelines and any applicable federal / local building codes and regulations.