

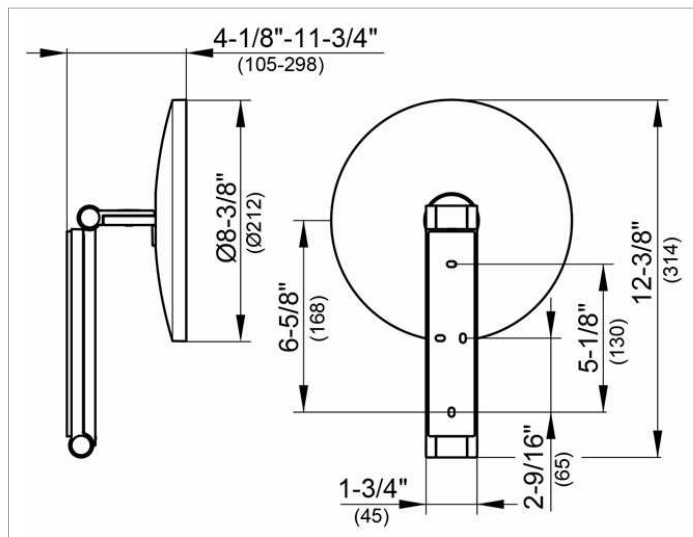
**Cosmetic mirrors**

17612010000 Cosmetic mirror

**PRODUCT**



**DRAWING**



**PRODUCT ATTRIBUTES**

non illuminated,  
on pivoted arm adjustable in three dimensions,  
one-sided mirror, magnification factor x 5

**SURFACE**

chrome-plated

**SPECIFICATIONS**

KEUCO iLook\_move cosmetic mirror, 17612010000  
high quality cosmetic mirror, round,  
chrome-plated, non illuminated,  
on pivoted rail,  
surface wall-mounted with 4 fixing points  
for an optimal load distribution  
adjustable in three dimensions, one-sided mirror, concave  
magnification factor x 5,  
Height wall mounting 7-1/8", Width ca. 1-3/4",  
max. Height ca. 19-11/16", External diameter 8-3/8",  
max. depth ca. 11-3/4",

**Warranty:** KEUCO products are covered by a 5-year manufacturer's warranty, in effect from the date of purchase. During this time, proven product defects will be remedied free of charge. Warranty claims must be filed in writing, including a detailed description of the defect immediately after a defect has occurred. For a copy of our detailed product warranty policy, please contact us at office-usa@keuco.com.

**Installation:** KEUCO products must be installed by a qualified professional in accordance with the respective installation guidelines and any applicable federal / local building codes and regulations.