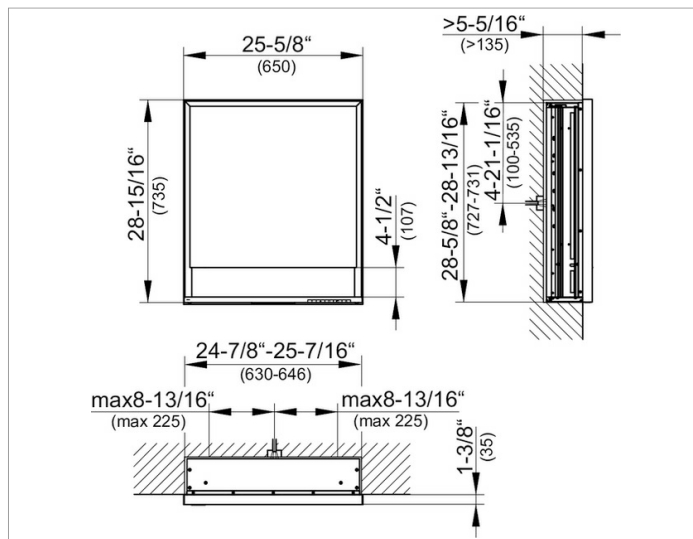


**Royal Lumos**  
14311171151 Mirror cabinet

**PRODUCT**



**DRAWING**



**PRODUCT ATTRIBUTES**

for recessed installation,  
adjustable light color from 2700 kelvin (warm white) to 6500 kelvin (daylight),  
1 hinged double sided crystal mirrored door,  
Body: aluminum silver anodized  
interior rear wall mirrored  
Operation:  
key panel with capacitive touch sensor,  
integrated extension function for e.g. light switch  
Illumination:  
frame lighting and washbasin/shelf light separately,  
infinitely dimmable and can be switched on/off  
LED 54 watt (lifespan > 30.000 hours)  
EEK: ,

**EQUIPMENT**

- 1 socket
- 2 adjustable glass shelves
- storage space across full width
- soft-closing door

**SURFACE**

silver anodized/right hand

**DIMENSION**

25,59 x 28,94 x 6,5 "

**SPECIFICATIONS**

KEUCO Royal Lumos Mirror cabinet 14311171151  
High quality Mirror cabinet in elegant design

for recessed installation,  
adjustable light colour from 2700 kelvin (warm white) to 6500 kelvin (daylight),  
1 hinged double sided crystal mirrored door,  
Body: aluminium silver anodized  
interior rear wall mirrored

Operation:  
key panel with capacitive touch sensor,  
integrated extension function for e.g. light switch

Illumination:  
frame lighting and washbasin/shelf light separately,  
infinitely dimmable and can be switched on/off  
LED 54 watt (lifespan > 30.000 hours)  
infinitely dimmable

- 1 socket
- 2 adjustable glass shelves
- storage space across full width
- soft-closing door

25-5/8" x 28-15/16" x 6-1/2"

silver anodized/right hand

**Warranty:** KEUCO products are covered by a 5-year manufacturer's warranty, in effect from the date of purchase. During this time, proven product defects will be remedied free of charge. Warranty claims must be filed in writing, including a detailed description of the defect immediately after a defect has occurred. For a copy of our detailed product warranty policy, please contact us at office-usa@keuco.com.

**Installation:** KEUCO products must be installed by a qualified professional in accordance with the respective installation guidelines and any applicable federal / local building codes and regulations.