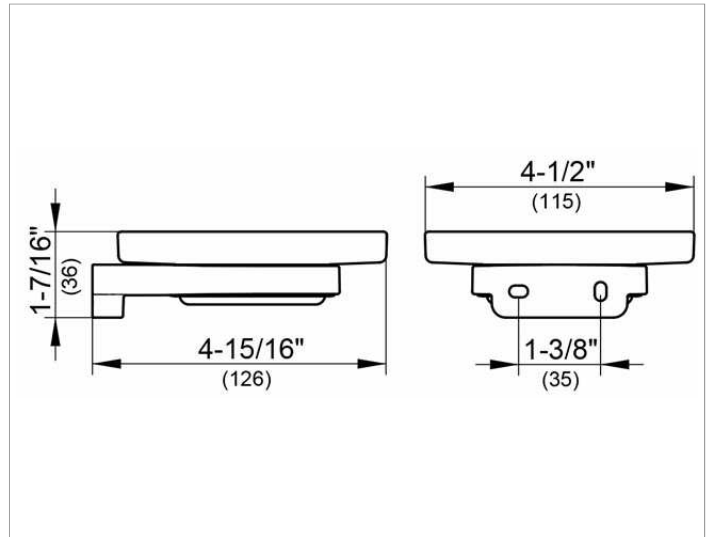


Collection Moll
12755019000 Soap holder

PRODUCT



DRAWING



PRODUCT ATTRIBUTES

with detachable crystal soap dish

SURFACE

chrome-plated

SPECIFICATIONS

KEUCO COLLECTION MOLL soap holder 12755019000

Chrome-plated soap holder in an esthetic design, holder with slightly rounded edges

Complete with a removable crystal soap dish, (diameter 4-1/2"),

Easy to clean,

Width 4-1/2", height 1-7/16", projection 4-15/16"

The soap holder is fitted with 2 hidden fixing points incl. corrosion-free mounting material

Warranty: KEUCO products are covered by a 5-year manufacturer's warranty, in effect from the date of purchase. During this time, proven product defects will be remedied free of charge. Warranty claims must be filed in writing, including a detailed description of the defect immediately after a defect has occurred. For a copy of our detailed product warranty policy, please contact us at office-usa@keuco.com.

Installation: KEUCO products must be installed by a qualified professional in accordance with the respective installation guidelines and any applicable federal / local building codes and regulations.