

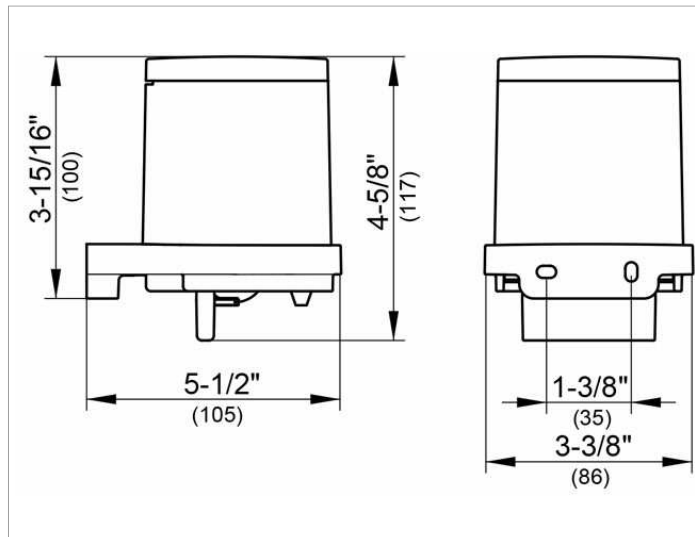
Collection Moll

12752010100 Lotion dispenser

PRODUCT



DRAWING



PRODUCT ATTRIBUTES

acrylic cup matte, complete with holder and pump for liquid soap
Capacity: approx. 6.09 oz
Dosage: approx. 0,02 oz/stroke

SURFACE

chrome-plated/white

SPECIFICATIONS

KEUCO COLLECTION MOLL lotion dispenser 12752010100 for wall installation (6.09 oz)
Chrome-plated lotion dispenser in an esthetic design, holder with slightly rounded edges, with plastic cup, white, matt
An exchangeable, high-class and long-lasting pump,
Capacity: approx. 6.09 oz, for standard liquid soap,
Dosage: approx. 0,02 oz/stroke
Base diameter: 3-3/8", Height 3-15/16"
Projection: 5-1/2"
The lotion dispenser is fitted with two hidden fixing points incl. corrosion-free mounting material

Warranty: KEUCO products are covered by a 5-year manufacturer's warranty, in effect from the date of purchase. During this time, proven product defects will be remedied free of charge. Warranty claims must be filed in writing, including a detailed description of the defect immediately after a defect has occurred. For a copy of our detailed product warranty policy, please contact us at office-usa@keuco.com.

Installation: KEUCO products must be installed by a qualified professional in accordance with the respective installation guidelines and any applicable federal / local building codes and regulations.