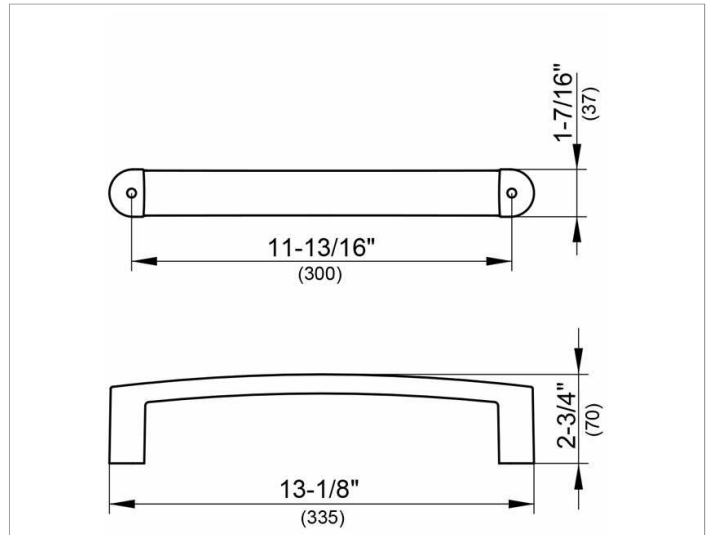


**Elegance NEW**  
**11607010000 Support rail**

**PRODUCT**



**DRAWING**



**SURFACE**

chrome-plated

**DIMENSION**

11,81 "

**SPECIFICATIONS**

KEUCO ELEGANCE grab rail 11607010000  
 Chrome-plated Towel rail  
 Elegant, oval profile,  
 slightly shaped surfaces in a timeless design,  
 solid wall mounting in zinc cast,  
 Load bearing up to 253 lb,  
 easy to clean  
 Axle measurement 11-13/16",  
 Total width of 13-1/8",  
 Projection 2-3/4"  
 incl. corrosion-free mounting material  
 TÜV certificated

**Warranty:** KEUCO products are covered by a 5-year manufacturer's warranty, in effect from the date of purchase. During this time, proven product defects will be remedied free of charge. Warranty claims must be filed in writing, including a detailed description of the defect immediately after a defect has occurred. For a copy of our detailed product warranty policy, please contact us at [office-usa@keuco.com](mailto:office-usa@keuco.com).

**Installation:** KEUCO products must be installed by a qualified professional in accordance with the respective installation guidelines and any applicable federal / local building codes and regulations.