

KALLISTA®

Foundations by KALLISTA
Ceramic valve for wall-mount single-control sink
faucet
P41299-00

Features

- High-quality solid-brass construction for durability and reliability
- Recessed installation

Recommended Products/Accessories

P26675-00 Wall-mount single-control sink faucet, elongated spout

P26613-00 Wall-mount single-control sink faucet

P34124-00 Wall Mount Single Control Sink Faucet, Lever Handle

IMAGE COMING SOON

Codes/Standards

ASME A112.18.1/CSA B125.1

NSF/ANSI/CAN 61

NSF/ANSI/CAN 372

All applicable US Federal and State material regulations

KALLISTA® Five-Year Limited Warranty

See website for detailed warranty information.

1-888-4-KALLISTA (1-888-452-5547)

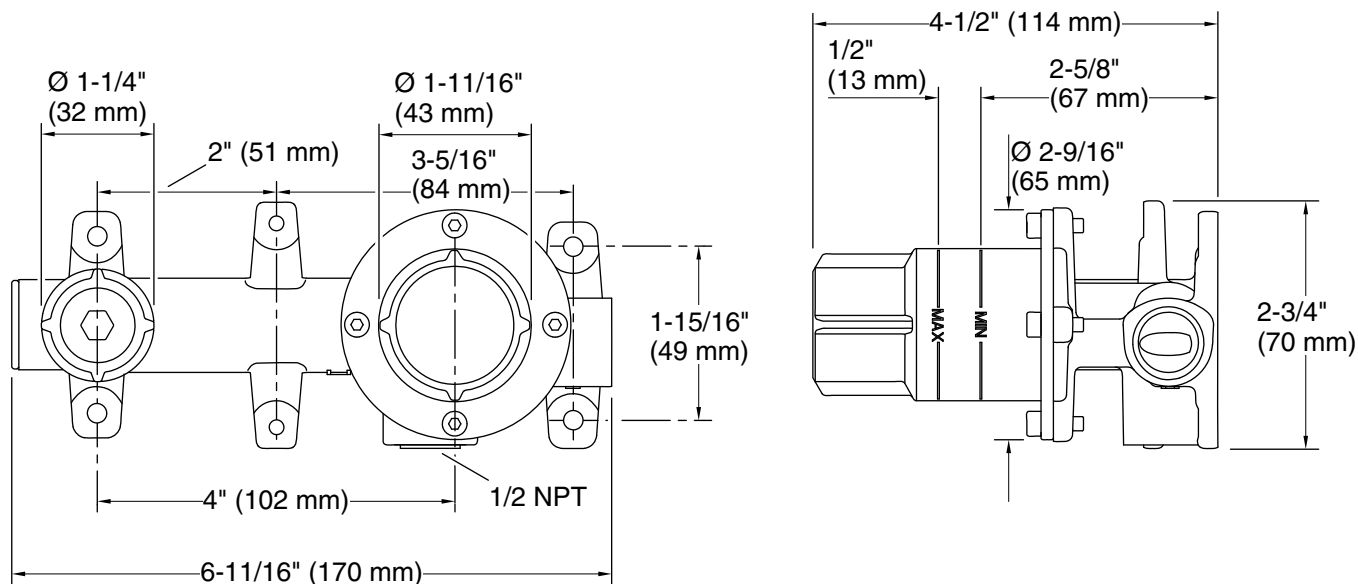
Kallista reserves the right to make revisions without notice to product specifications.

For the most current Specification Sheet, go to www.kallista.com.

6-20-2024 20:25 - US

KALLISTA

Foundations by KALLISTA
Ceramic valve for wall-mount single-control sink
faucet
P41299-00



Technical Information

All product dimensions are nominal.

Drain included: No

Drain with
overflow: No

Notes

Install this product according to the
installation guide.