

## Features

- High-quality solid metal construction for durability and reliability
- Diverter, handshower, and handshower trim sold separately
- Widespread bath faucet for 8" (203 mm) - 26" (660 mm) centers
- Required rough-in sold separately (P19303-00-NA)

## Recommended Products/Accessories

- P34884-CP Widespread Sink Faucet, Wheel Handles
- P34888-00 Thermostatic trim, wheel handle
- P34889-00 Transfer trim, wheel handle
- P34890-00 Volume control trim, wheel handle
- P34594-CP Towel Bar, 18"



**ADA** **CSA B651** **OBC**

## Codes/Standards



ASME A112.18.1/CSA B125.1  
ADA  
ICC/ANSI A117.1  
CSA B651  
OBC

## KALLISTA® Five-Year Limited Warranty

See website for detailed warranty information.

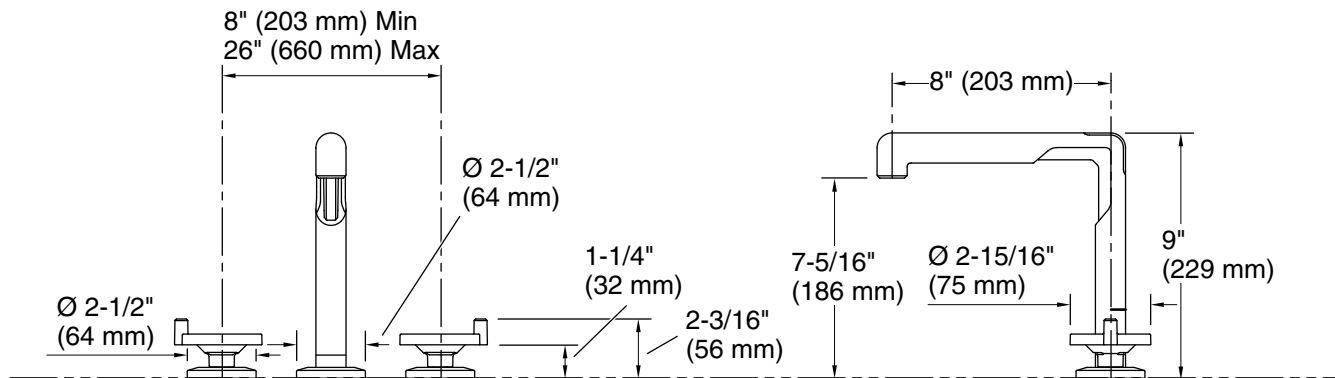
## Available Colors/Finishes

*Color tiles intended for reference only.*

Color	Code	Description
	BGP	Brushed Graphite
	SN	Polished Nickel

# KALLISTA

Vice™ by KALLISTA  
Deck-mount Bath Faucet, Wheel Handle  
P34891-BN



## Technical Information

All product dimensions are nominal.

### Spout:

Spout reach: 8" (203 mm)

## Notes

Install this product according to the installation instructions.

ADA, OBC, CSA B651 compliant when installed to the specific requirements of these regulations.