

KALLISTA®

Vice™ by KALLISTA Wall-Mount Bath Faucet Handles, Crank P34872-CP

Features

- High-quality metal construction for durability and reliability
- Required rough-in sold separately

Required Products/Accessories

For wall-mount installation

P34588-CP Wall-Mount Bath Spout

or

P28814-00 Wall-Mount Bath Faucet Rough-In Assembly Valve



Recommended Products/Accessories

P34864-CP Widespread Sink Faucet, Crank Handles

P34867-CP Thermostatic trim, crank handle

P34868-CP Transfer trim, crank handle

P34869-CP Volume control trim, crank handle

P34870-CP Deck-mount Bath Faucet, Crank Handle

ADA

CSA B651

OBC

Codes/Standards

ASME A112.18.1/CSA B125.1

ADA

ICC/ANSI A117.1

CSA B651

OBC

KALLISTA® Five-Year Limited Warranty

See website for detailed warranty information.

Available Colors/Finishes

Color tiles intended for reference only.

Color Code Description



CP Polished Chrome

1-888-4-KALLISTA (1-888-452-5547)

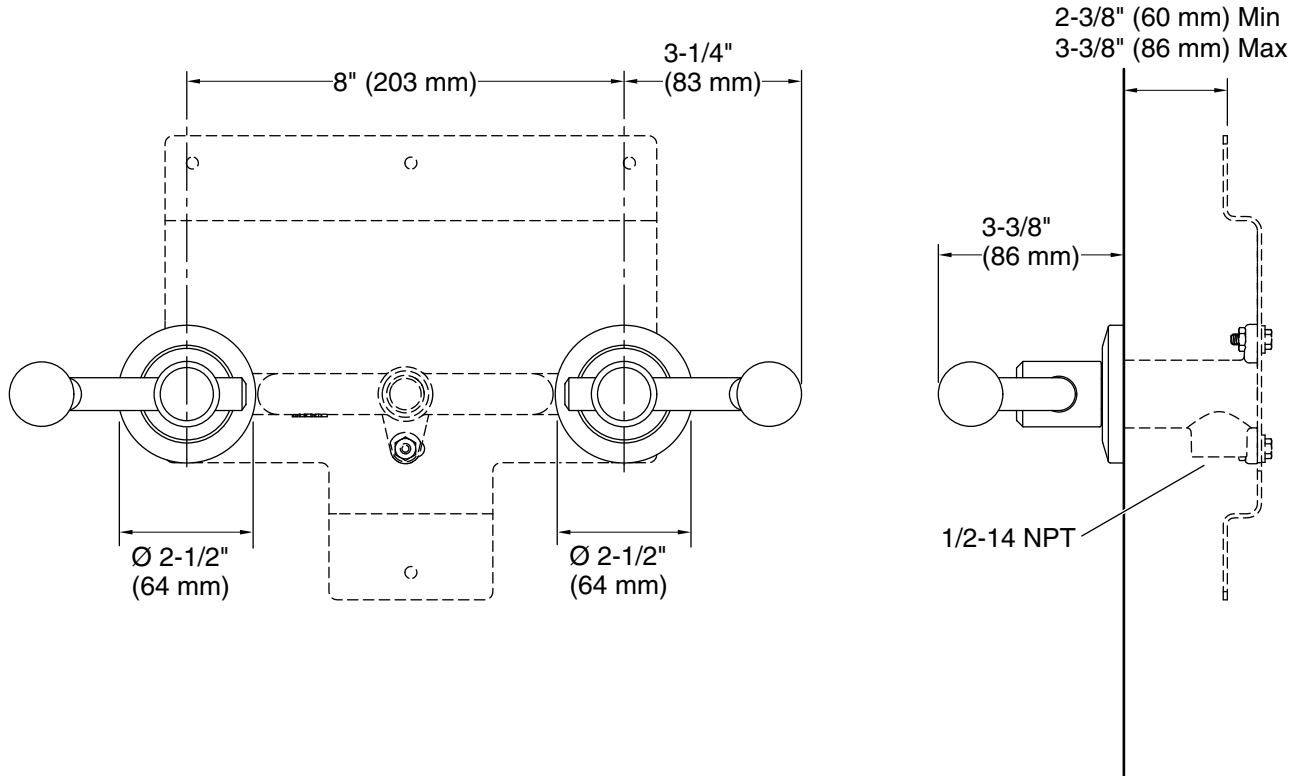
Kallista reserves the right to make revisions without notice to product specifications.

For the most current Specification Sheet, go to www.kallista.com.

1-14-2026 11:00 - US/CA

KALLISTA

Vice™ by KALLISTA
Wall-Mount Bath Faucet Handles, Crank
P34872-CP



Technical Information

All product dimensions are nominal.

Notes

Install this product according to the installation instructions.

ADA, OBC, CSA B651 compliant when installed to the specific requirements of these regulations.