

KALLISTA®

Vice™ by KALLISTA Wall-Mount Bath Faucet Handles, Crank P34872-BAF

Features

- High-quality metal construction for durability and reliability
- Required rough-in sold separately

Required Products/Accessories

For wall-mount installation

P34588-BAF Wall-Mount Bath Spout

or

P28814-00 Wall-Mount Bath Faucet Rough-In Assembly Valve



Recommended Products/Accessories

P34864-CP Widespread Sink Faucet, Crank Handles

P34867-CP Thermostatic trim, crank handle

P34868-CP Transfer trim, crank handle

P34869-CP Volume control trim, crank handle

P34870-CP Deck-mount Bath Faucet, Crank Handle

ADA

CSA B651

OBC

Codes/Standards

ASME A112.18.1/CSA B125.1

ADA

ICC/ANSI A117.1

CSA B651

OBC

KALLISTA® Five-Year Limited Warranty

See website for detailed warranty information.

Available Colors/Finishes

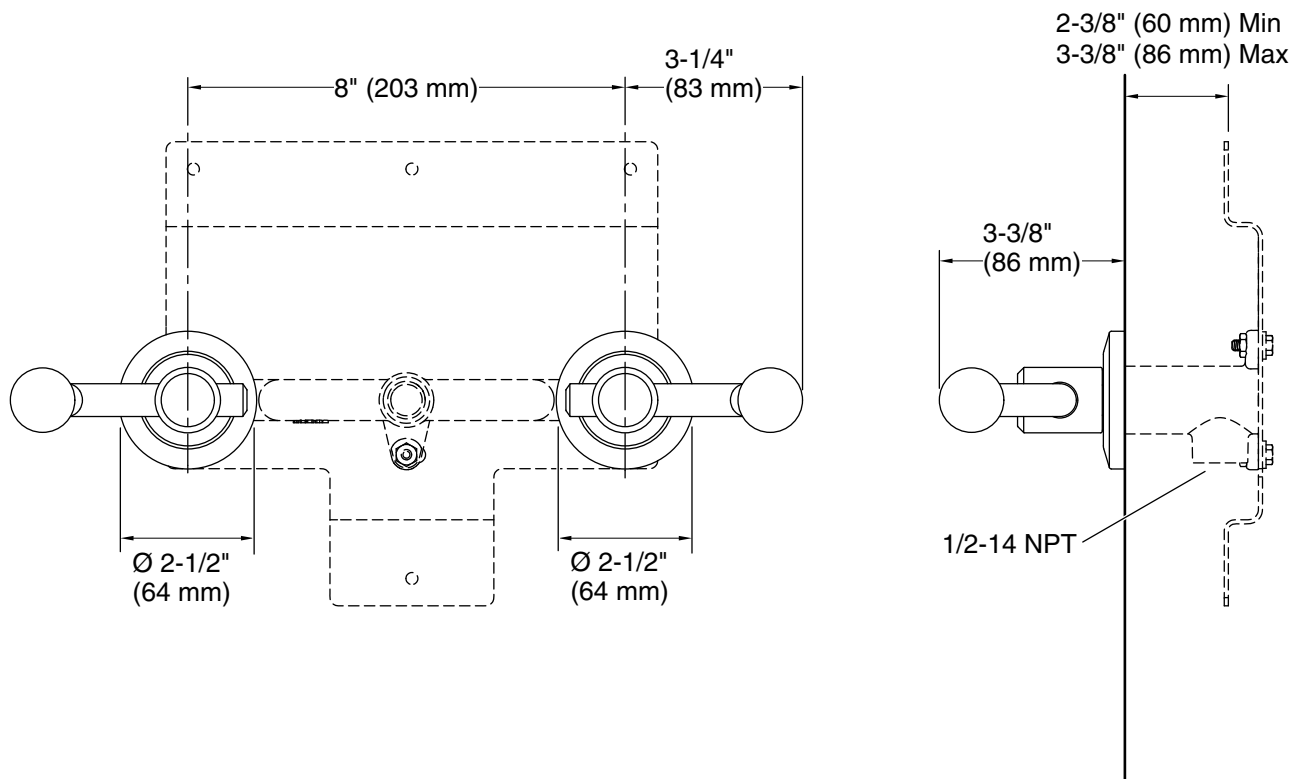
Color tiles intended for reference only.

Color	Code	Description
-------	------	-------------

	AF	French Gold
---	----	-------------

KALLISTA

Vice™ by KALLISTA
Wall-Mount Bath Faucet Handles, Crank
P34872-BAF



Technical Information

All product dimensions are nominal.

Notes

Install this product according to the installation instructions.

ADA, OBC, CSA B651 compliant when installed to the specific requirements of these regulations.