

Features

- High-quality solid metal construction for durability and reliability
- Diverter, handshower, and handshower trim sold separately
- Widespread bath faucet for 8" – 16" (203 – 406 mm) centers
- Required rough-in sold separately (P19303-00-NA)

Recommended Products/Accessories

P34864-CP Widespread Sink Faucet, Crank Handles
P34866-CP Single Control trim, crank handle
P34867-CP Thermostatic trim, crank handle
P34603-CP Toilet Paper Holder



ADA **CSA B651** **OBC**

Codes/Standards

ASME A112.18.1/CSA B125.1
ADA
ICC/ANSI A117.1
CSA B651
OBC

KALLISTA® Five-Year Limited Warranty

See website for detailed warranty information.

Available Colors/Finishes

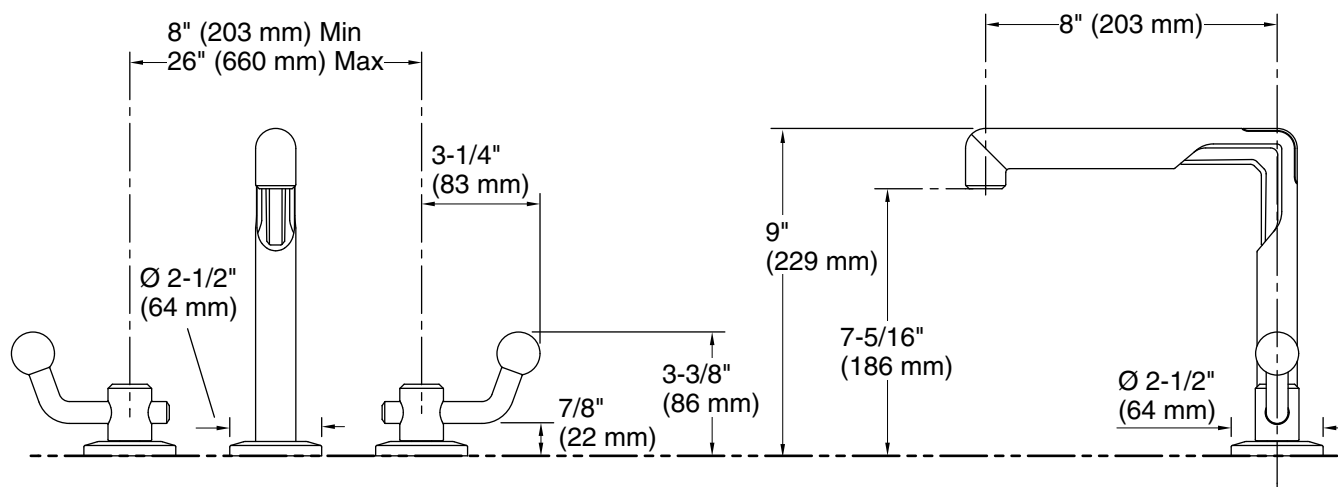
Color tiles intended for reference only.

Color	Code	Description
-------	------	-------------

	AF	French Gold
---	----	-------------

KALLISTA

Vice™ by KALLISTA
Deck-mount Bath Faucet, Crank Handle
P34870-BAF



Technical Information

All product dimensions are nominal.

Spout:

Spout reach: 8" (203 mm)

Notes

Install this product according to the installation instructions.

ADA, OBC, CSA B651 compliant when installed to the specific requirements of these regulations.