

KALLISTA®

Vice™ by KALLISTA Transfer trim, crank handle P34868-BAF

Features

- High-quality metal construction for durability and reliability
- Allows for directed water flow
- Required rough-in sold separately

Required Products/Accessories

P29513-00 Transfer Valve

or

P29514-00 Transfer Valve, Eco

Recommended Products/Accessories

P34864-CP Widespread Sink Faucet, Crank Handles

P34605-CP Single Control trim with diverter, crank handle

P34595-CP Towel Bar, 24"

P34870-CP Deck-mount Bath Faucet, Crank Handle



ADA

CSA B651

OBC

Codes/Standards

ASME A112.18.1/CSA B125.1

ADA

ICC/ANSI A117.1

CSA B651

OBC

KALLISTA® Five-Year Limited Warranty

See website for detailed warranty information.

Available Colors/Finishes

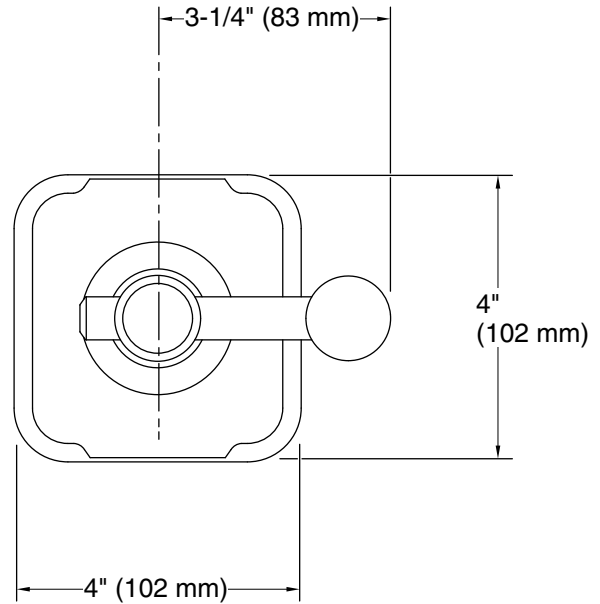
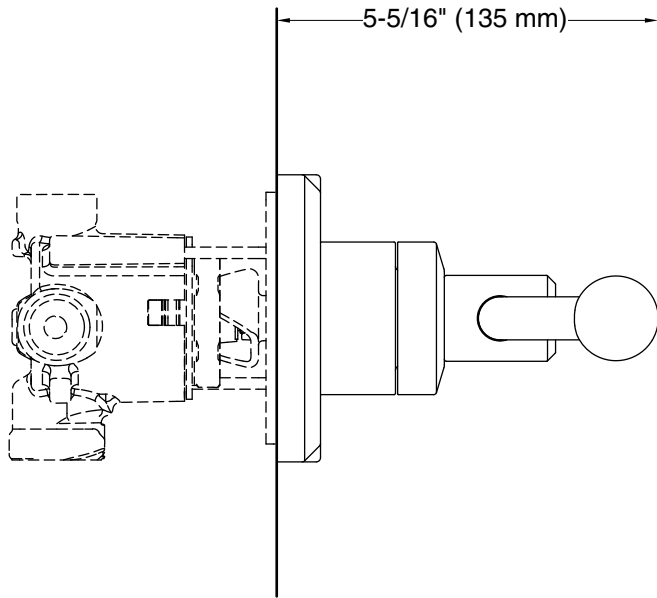
Color tiles intended for reference only.

Color	Code	Description
-------	------	-------------

	AF	French Gold
---	----	-------------

KALLISTA

Vice™ by KALLISTA
Transfer trim, crank handle
P34868-BAF



Technical Information

All product dimensions are nominal.

Notes

Install this product according to the installation instructions.

ADA, OBC, CSA B651 compliant when installed to the specific requirements of these regulations.