

Features

- High-quality solid-brass construction for durability and reliability

Recommended Products/Accessories

- P34582-CP Widespread Sink Faucet, Lever Handles
- P34587-CP Vice Wall-Mount Bath Faucet Handles, Lever
- P34590-CP Thermostatic trim, lever handle
- P34591-CP Transfer trim, lever handle
- P34593-CP Showerhead with Arm



ADA

CSA B651

OBC

Codes/Standards

ASME A112.18.1/CSA B125.1

ADA

ICC/ANSI A117.1

CSA B651



OBC

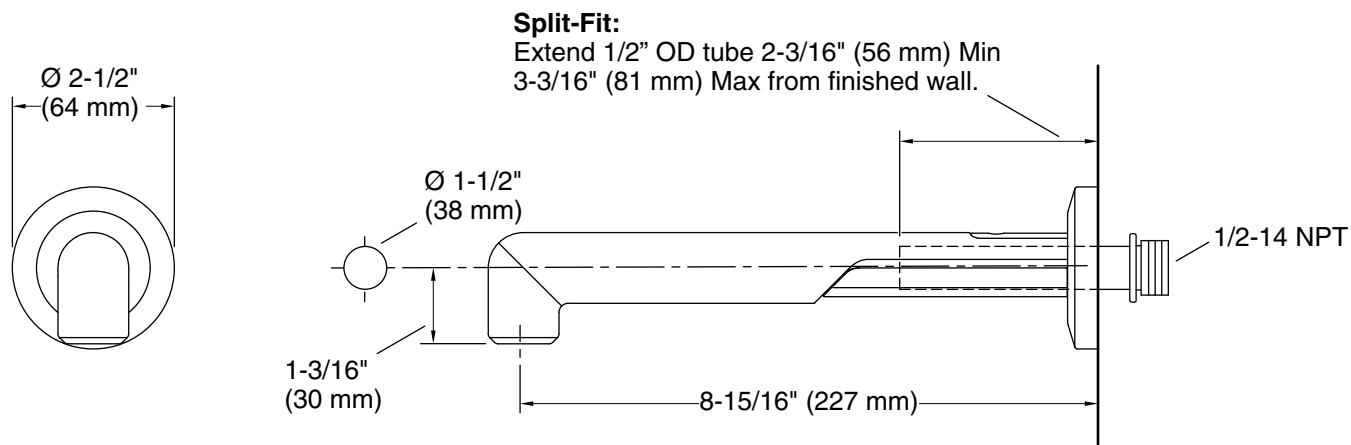
KALLISTA® Five-Year Limited Warranty

See website for detailed warranty
information.

Available Colors/Finishes

Color tiles intended for reference only.

| Color | Code | Description |
|---|------|------------------|
|  | BGP | Brushed Graphite |
|  | SN | Polished Nickel |



Technical Information

All product dimensions are nominal.

Notes

Install this product according to the installation instructions.

ADA, OBC, CSA B651 compliant when installed to the specific requirements of these regulations.