

KALLISTA®

Guise™ by KALLISTA Freestanding Bath Faucet, Less Handshower P34238-LV

Features

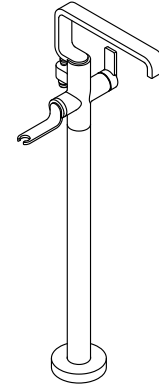
- High-quality solid metal construction for durability and reliability
- Floor-mount, single hole installation
- Required mounting block sold separately (P20511-00-NA)
- Required handshower sold separately
- Includes integral valve
- Includes hardware kit and escutcheon

Required Products/Accessories

P20511-00

Recommended Products/Accessories

P50206-00 Freestanding Bathtub
P34231-LV Sink Faucet, Lever Handles
P34242-LV Thermostatic trim, lever handle
P34243-LV Transfer trim, lever handle
P34244-LV Volume control trim, lever handle



Codes/Standards

ASME A112.18.1/CSA B125.1
IAPMO Certification

KALLISTA® Five-Year Limited Warranty

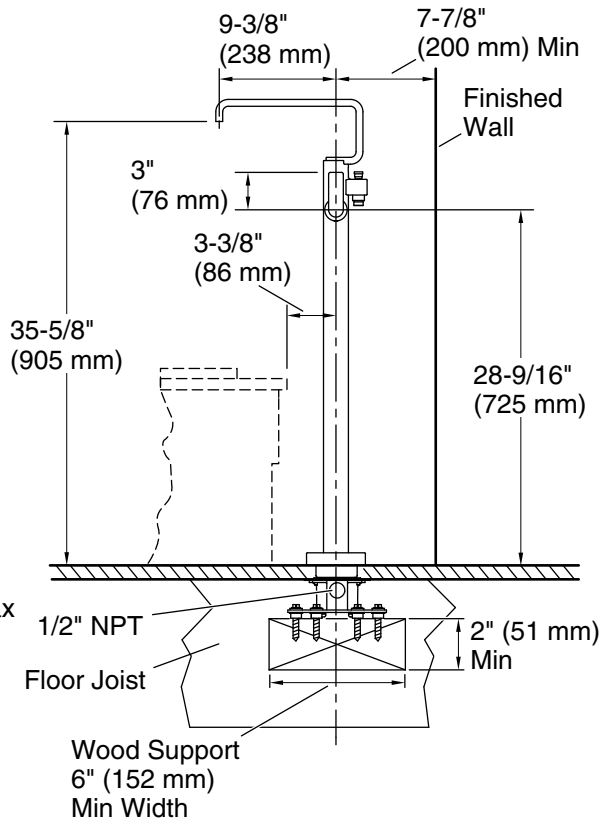
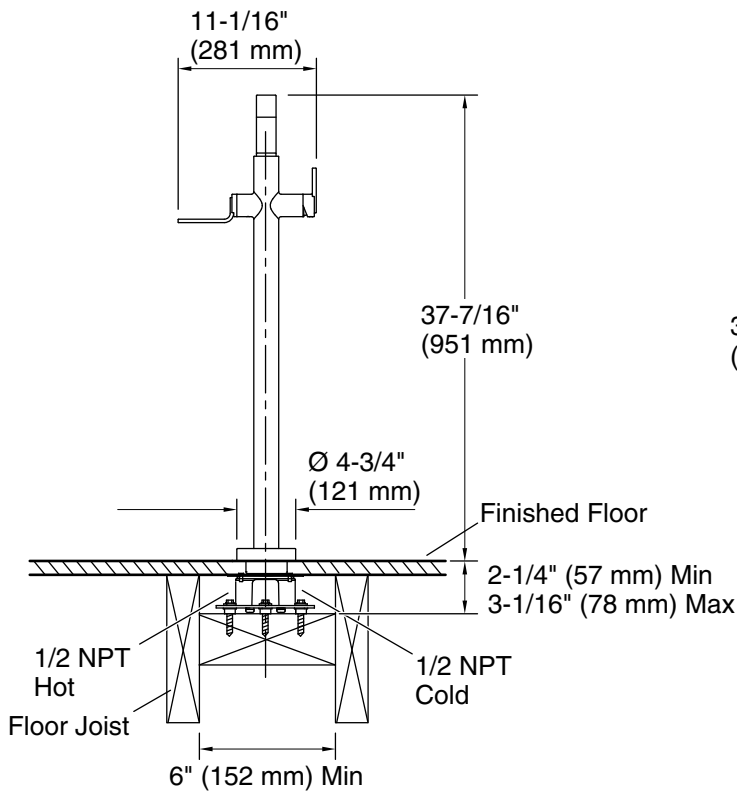
See website for detailed warranty
information.

1-888-4-KALLISTA (1-888-452-5547)

Kallista reserves the right to make revisions without notice to product specifications.

For the most current Specification Sheet, go to www.kallista.com.

8-26-2024 12:00 - US



Technical Information

All product dimensions are nominal.

Drain included: No

Notes

Install this product according to the installation guide.