

Features

- High-quality solid metal construction for durability and reliability
- Diverter, handshower, and handshower trim sold separately
- Widespread bath faucet for 8" – 16" (203 – 406 mm) centers
- Required rough-in sold separately (P19303-00-NA)

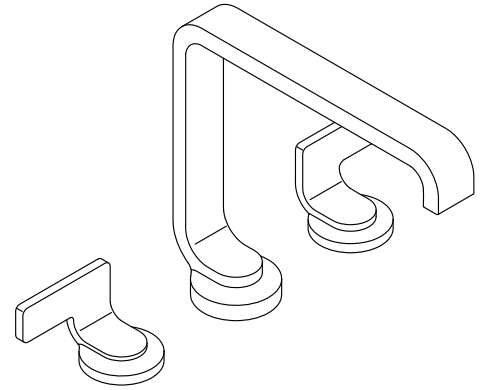
Required Products/Accessories

For deck-mount installation

P20995-00 Deck-Mount Diverter Valve

Recommended Products/Accessories

P34231-TWW Widespread Sink Faucet, Standard Spout,
Transparent White Wave Lever Handles
P34242-LV Thermostatic trim, lever handle



ADA

CSA B651

OBC

Codes/Standards

ASME A112.18.1/CSA B125.1

ADA

ICC/ANSI A117.1

CSA B651

OBC

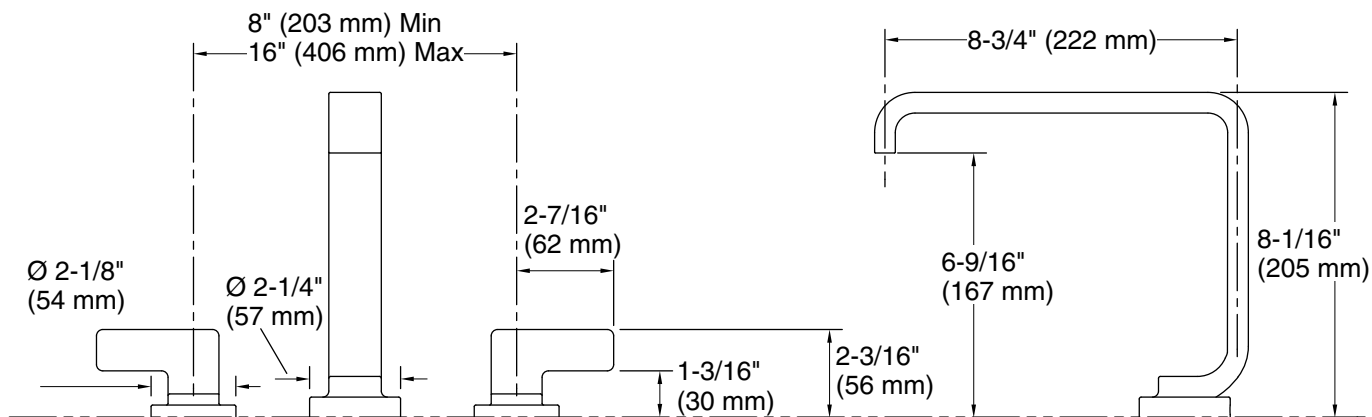
IAPMO Certification

**KALLISTA® Five-Year Limited
Warranty**

See website for detailed warranty
information.

KALLISTA

Guise™ by KALLISTA
Deck-mount Bath Faucet, Lever Handle
P34237-LV



Technical Information

All product dimensions are nominal.

Drain included: No

Notes

ADA, OBC, CSA B651 compliant when installed to the specific requirements of these regulations.