

# KALLISTA®

## Foundations by Laura Kirar Wall-mount kitchen pot filler P28961-00

### Features

- High-quality solid metal construction for durability and reliability
- Wall-mount installation
- Extensive 22" (559 mm) reach capability
- Quarter-turn washerless ceramic disc valve

### Recommended Products/Accessories

- L20309-00 Stainless Steel Kitchen Sink with Deluxe Accessories (Qty 2)
- P25517-00 Pull-Down Kitchen Faucet (Qty 2)
- P25516-00 Pull-Down Kitchen Faucet
- P80270-00 Single-handle bar sink faucet



### Codes/Standards




- ASME A112.18.1/CSA B125.1
- NSF/ANSI/CAN 61
- NSF/ANSI/CAN 372
- All applicable US Federal and State material regulations

### KALLISTA® Five-Year Limited Warranty

See website for detailed warranty information.

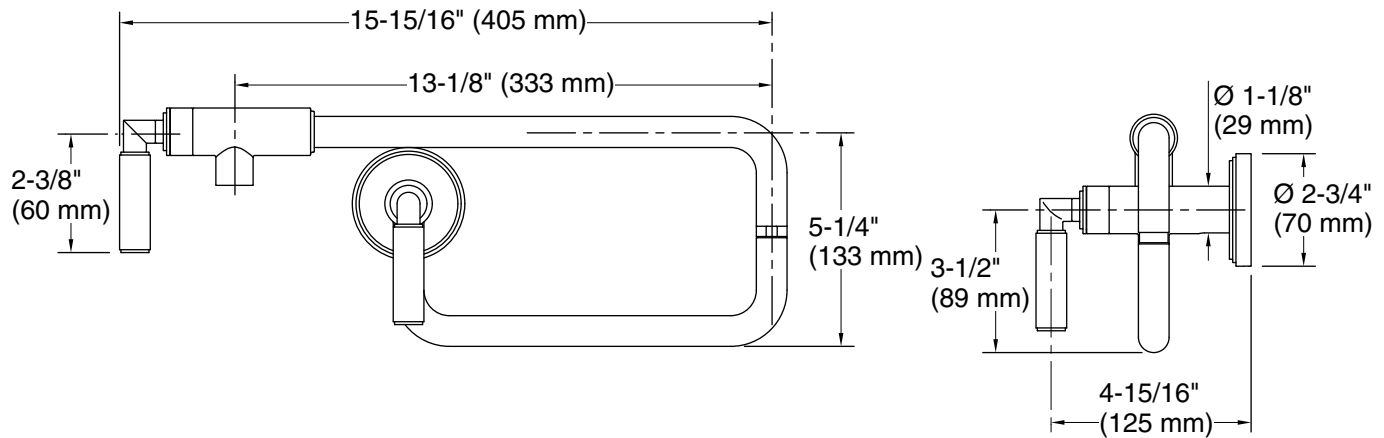
### Available Colors/Finishes

*Color tiles intended for reference only.*

Color	Code	Description
	CP	Polished Chrome
	SN	Polished Nickel
	VS	Stainless

# KALLISTA.

Foundations by Laura Kirar  
Wall-mount kitchen pot filler  
P28961-00



## Technical Information

All product dimensions are nominal.

### Faucet:

Flow rate: 3.2 gal/min (12.1 l/min)

Pressure: 60 psi (4.1 bar)

Drain included: No

## Notes

Install this product according to the installation guide.