

Features

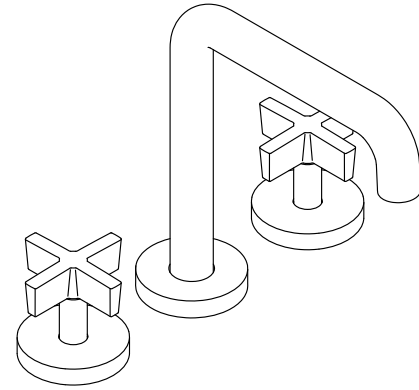
- High-quality solid-brass construction for durability and reliability
- Spout reach is 7-3/16" (183 mm)
- Required rough-in sold separately
- Diverter, handshower, and handshower trim sold separately
- Unlacquered Brass (ULB) available in North America and the United Kingdom only

Required Products/Accessories

P19303-00

Recommended Products/Accessories

- P50047-00 Small Rectangular Bathtub
- P24843-00 Wand Dual-Function Handshower with Hose
- P21930-00 Drain Trim Kit
- P34402-00 Towel Bar, 18"



ADA **CSA B651** **OBC**

Codes/Standards

ASME A112.18.1/CSA B125.1
ADA
ICC/ANSI A117.1
CSA B651
OBC

KALLISTA® Five-Year Limited Warranty

See website for detailed warranty information.

Available Colors/Finishes

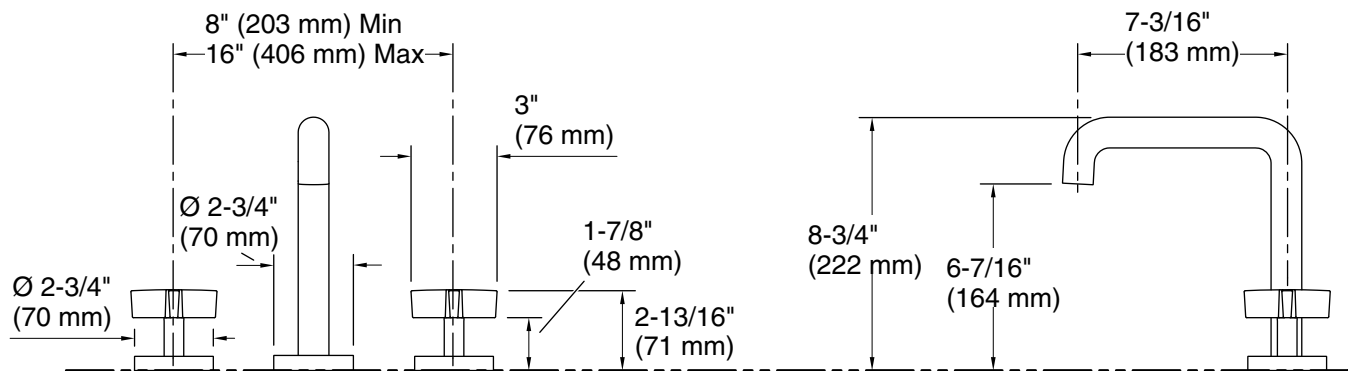
Color tiles intended for reference only.

Color Code Description

AD
CP
BL
ULB
BAF
SN

KALLISTA

One™ by KALLISTA
Deck-mount bath faucet, cross handles
P21802-CR



Technical Information

All product dimensions are nominal.

Faucet:

Flow rate: 9.98 gal/min (37.8 l/min)

Pressure: 45 psi (3.1 bar)

Drain included: No

Spout:

Spout reach: 7-3/16" (183 mm)

Notes

ADA, OBC, CSA B651 compliant when installed to the specific requirements of these regulations.