

### FEATURES

- Solid metal construction for durability and reliability
- Allows bather to set precise temperature
- Patented K-joint installation ensures consistent trim appearance, regardless of variability in valve rough-in
- Complements the Per Se collection

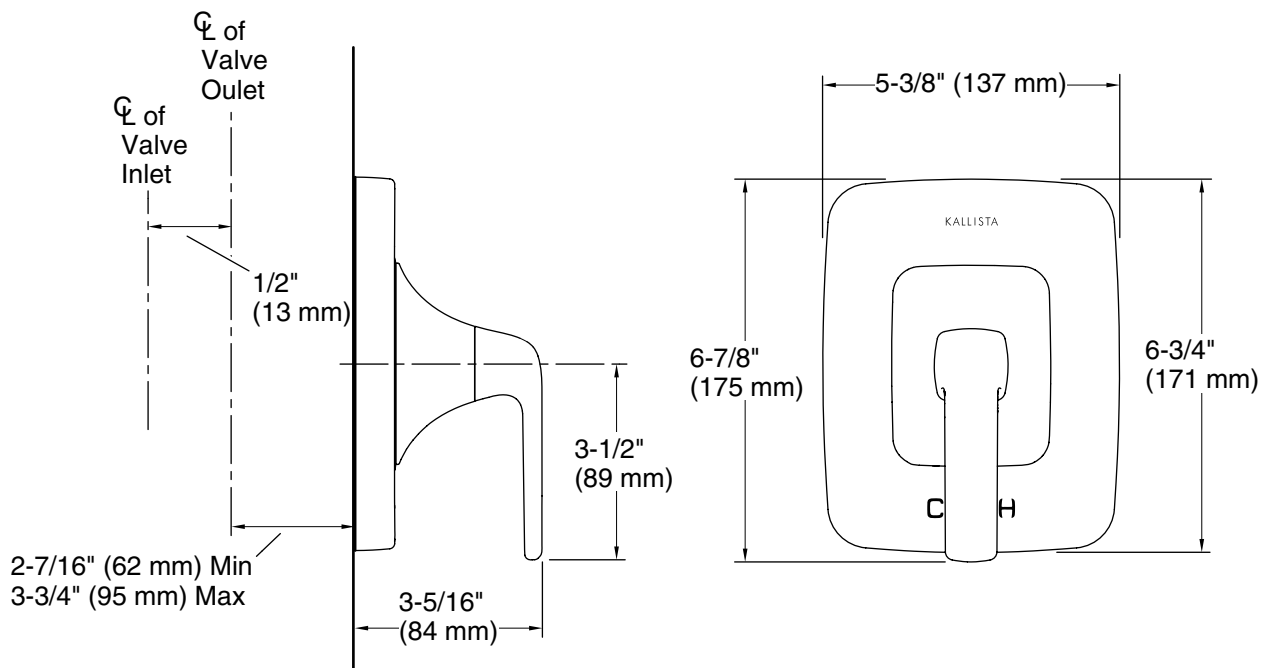
### CODES/STANDARDS APPLICABLE

Specified model meets or exceeds the following:

- ASME A112.18.1/CSA B125.1
- ICC/ANSI A117.1
- ADA
- ASSE 1016

## P24722

ADA



### SPECIFIED MODEL

Model	Description	Finishes	
P24722-LV	Per Se Thermostatic Valve Trim, Lever Handle	<input type="checkbox"/> CP Polished Chrome	<input type="checkbox"/> AD Nickel Silver
		<input type="checkbox"/> AG Brushed Nickel	<input type="checkbox"/> AF French Gold
Required Rough-in			
P29512-WS	3/4" Thermostatic Mixing Valve	<input type="checkbox"/> NA	
P29511-WS	1/2" Thermostatic Mixing Valve	<input type="checkbox"/> NA	

We reserve the right to make revisions without notice in the design of products or in packaging unless this right has specifically been waived at the time the order is accepted.