

# KALLISTA® For Town Pressure Balance Valve Trim & Pressure Balance Valve Trim with Diverter

## FEATURES

- Solid brass construction for durability and reliability
- Pressure-balancing technology maintains water temperature within +/-3 degrees Fahrenheit
- High-temperature limit stop helps eliminate scalding
- Complements the For Town collection

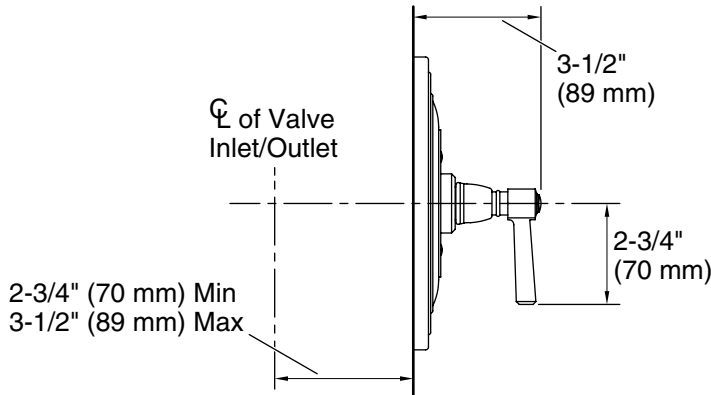
## CODES/STANDARDS APPLICABLE

Specified model meets or exceeds the following:

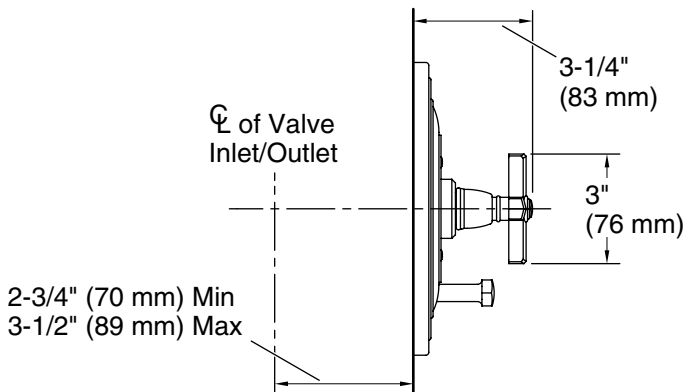
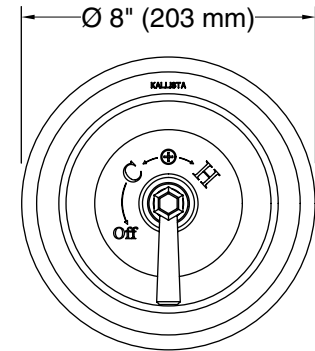
- ASME A112.18.1/CSA B125.1
- ICC/ANSI A117.1 (P22715 only)
- ADA\* (P22715 only)
- OBC\* (P22715 only)
- CSA B651\* (P22715 only)

\* Compliant when installed to the specific requirement of this regulation

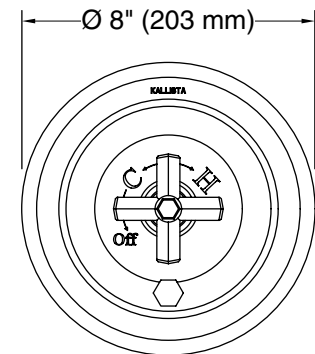
P22715,  
P22716



**P22715-LX**



**P22716-XX**



SPECIFIED MODEL			
Model	Description	Finishes	
P22715-XX	For Town Pressure Balance Valve Trim, Cross Handle	<input type="checkbox"/> CP Polished Chrome	<input type="checkbox"/> AD Nickel Silver <input type="checkbox"/> AG Brushed Nickel
P22715-LX	For Town Pressure Balance Valve Trim, Lever Handle	<input type="checkbox"/> CP Polished Chrome	<input type="checkbox"/> AD Nickel Silver <input type="checkbox"/> AG Brushed Nickel
P22716-XX	For Town Pressure Balance Valve Trim with Diverter, Cross Handle	<input type="checkbox"/> CP Polished Chrome	<input type="checkbox"/> AD Nickel Silver <input type="checkbox"/> AG Brushed Nickel
P22716-LX	For Town Pressure Balance Valve Trim with Diverter, Lever Handle	<input type="checkbox"/> CP Polished Chrome	<input type="checkbox"/> AD Nickel Silver <input type="checkbox"/> AG Brushed Nickel
Required Rough-In			
P19310-00	Pressure Balance Rough-in for P22715	<input type="checkbox"/> NA	
P19310-WS	Pressure Balance Rough-in with stops for P22715	<input type="checkbox"/> NA	
P19310-US	Rough-In with Stops and PEX connections for P22715	<input type="checkbox"/> NA	
P29306-WS	Pressure Balance High-Flow Rough-in for P22715	<input type="checkbox"/> NA	
P29500-00	Pressure Balance Rough-in & Thermostatic Cartridge for P22715	<input type="checkbox"/> NA	
P29500-WS	Pressure Balance Rough-in & Thermostatic Cartridge with Stops for P22715	<input type="checkbox"/> NA	
P29305-00	Pressure Balance with Diverter Rough-in for P22716	<input type="checkbox"/> NA	
P29305-WS	Pressure Balance with Diverter Rough-in with Stops for P22716	<input type="checkbox"/> NA	

We reserve the right to make revisions without notice in the design of products or in packaging unless this right has specifically been waived at the time the order is accepted.