

CAYONOPLAN

- floor-level shower
- classic design with inner contour
- perfect match for the CAYONO model range
- large standing area with central waste at short side
- made of KALDEWEI steel enamel
- IAPMO
- ASME A112.19.1
- CSA B45.2
- ASTM F-462



Illustration shows Model 2251

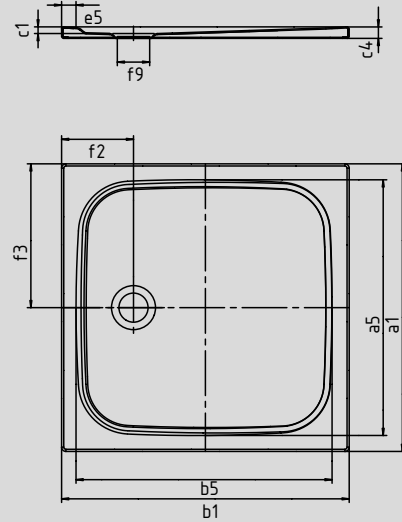
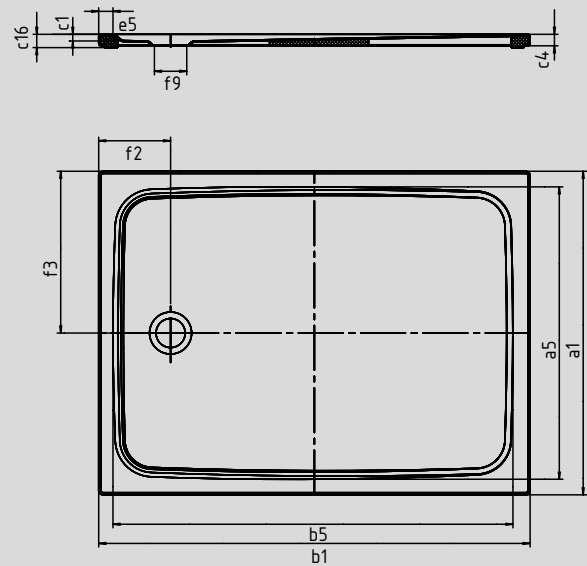


Illustration shows Model 2255 with low profile support



		inch	inch	inch	inch
Model No.		2257	2258	2259	2261
External length	a ₁	35.43	39.37	29.53	29.53
Internal length	a ₅	31.10	35.04	25.20	25.20
External width	b ₁	39.37	39.37	43.31	47.24
Internal width	b ₅	35.04	35.04	38.98	42.91
Internal depth	c ₁	0.71	0.71	0.71	0.71
Height of rim	c ₄	1.26	1.26	1.26	1.26
Height with support	c ₁₆	1.46	1.46	1.46	1.46
Width of rim	e ₅	1.97	1.97	1.97	1.97
Distance bath edge to centre of drain hole	f ₂	7.87	7.87	7.87	7.87
Distance bath edge to centre of drain hole	f ₃	17.72	19.69	14.76	14.76
Diameter of drain hole	f ₉	3.54	3.54	3.54	3.54
Weight of the enamelled shower tray in lbs		0.91	1.06	0.83	0.94