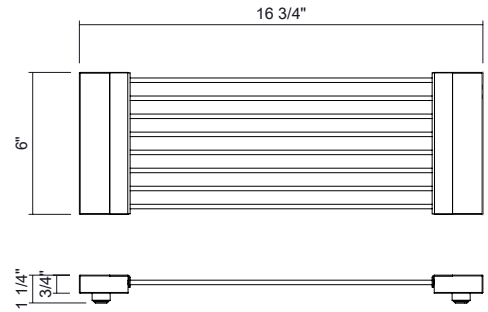
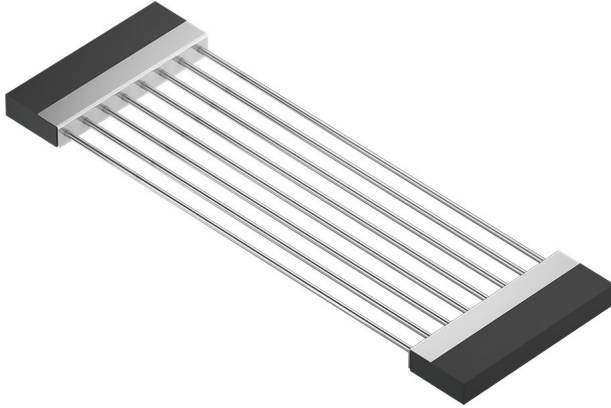


JULIEN

SM255201 | SMARTSTATION® ACCESSORY

6" DRYING RACK BLACK WOOD FIBER COMPOSITE HANDLES FOR 17" SINK



Specifications

Model	SM255201
Collection	SmartStation®
Overall dimensions	6" x 16.875" x 0.75"
Compatible bowl dimension (front-to-back)	17"
Material	Black Wood Fiber Composite and Stainless Steel
Installation level	Lower Tier ledge

Features

- Can be used on top of sink to create extra workspace or on countertop.
- Ideal to rinse food or to dry dishes.
- Available in 100% hardwood Canadian maple, American walnut or refined black wood fiber composite handles for superior quality and durability.
- 304 series stainless steel (18/10).
- Elegant no. 4 brushed finish that matches the appliances.
- Innovative design that integrates perfectly with other SmartStation accessories.

Warranty

JULIEN offers a 1-YEAR LIMITED WARRANTY following the purchase date for all mobile parts, options and accessories against defects of material and workmanship. This warranty is limited to defects or damages resulting from a normal residential use. For further details on our product warranty, please refer to our catalog or web site.