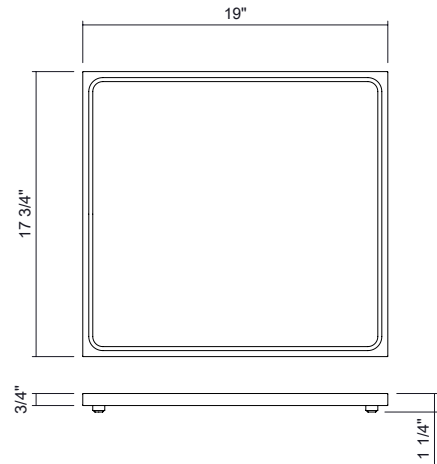
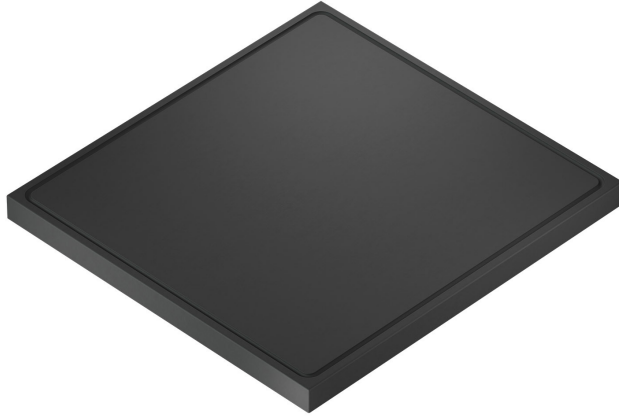


JULIEN

SM255100 | SMARTSTATION® ACCESSORY

PREMIUM XL BLACK WOOD FIBER COMPOSITE CUTTING BOARD FOR 17" SINK



Specifications

Model	SM255100
Collection	SmartStation®
Overall dimensions	17.875" x 17.875" x 1.5"
Compatible bowl dimension (front-to-back)	17"
Material	Black Wood Fiber Composite
Installation level	Dual Tier in reveal installation: Upper Tier ledge and Upper Deck (on countertop) by rotating the board 90 degrees. In overhang installation: Upper Deck (on countertop) only

Features

- Made from premium wood fiber composite.
- Ultra-dense and non-porous for exceptional durability and moisture resistance.
- 3/4" thick with integrated stabilizing feet.
- Instantly transforms your sink into additional countertop space.
- Extra-large cutting surface for comfortable food prep.
- Integrated juice groove to capture liquids.
- Designed to work with reveal installation or overhang installation.
- Can be used on the countertop or on the sink reveal ledge.
- Simple 90° rotation allows seamless transition between levels.
- Perfect as a presentation board to impress guests.
- Creates a functional workstation for quick and efficient prep.
- Food-safe and kitchen-approved: dishwasher safe, heat resistant, and gentle on knives.
- Innovative design that integrates perfectly with other SmartStation accessories.

Warranty

JULIEN offers a 1-YEAR LIMITED WARRANTY following the purchase date for all mobile parts, options and accessories against defects of material and workmanship. This warranty is limited to defects or damages resulting from a normal residential use. For further details on our product warranty, please refer to our catalog or web site.