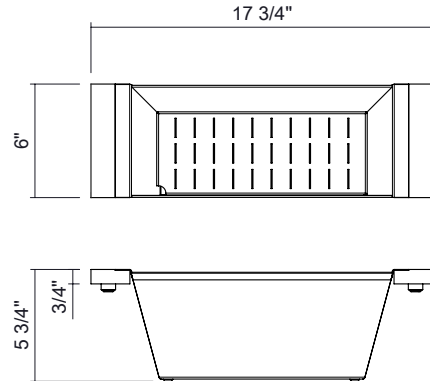


JULIEN

SM245210 | SMARTSTATION® ACCESSORY

ALL-PURPOSE CHILL & THAW BIN MAPLE HANDLES FOR 17" SINK



Specifications

Model	SM245210
Collection	SmartStation®
Overall dimensions	6" x 17.875" x 5.75"
Compatible bowl dimension (front-to-back)	17"
Material	Maple Hardwood and Stainless Steel
Installation level	Upper Tier ledge in reveal installation or Upper Deck (on countertop) in overhang installation

Features

- Can be used on top of sink to create extra workspace or on countertop.
- Asymmetrical design: flat on one side and angled on the other to optimize sink space and keep bottles easily accessible.
- Quick chilling: perfect for bottles and cans.
- Safe thawing: meats, fish, or vacuum-sealed foods.
- Versatile: can be used to wash fruits and vegetables, marinate foods, or serve at the table.
- Available in 100% hardwood Canadian maple, American walnut or refined black wood fiber composite handles for superior quality and durability.
- Removable bottom: separates water from ice, slowing melting and keeping bottles colder for longer.
- 304 series stainless steel (18/10).
- Elegant no. 4 brushed finish that matches the appliances.
- Innovative design that integrates perfectly with other SmartStation accessories.

Warranty

JULIEN offers a 1-YEAR LIMITED WARRANTY following the purchase date for all mobile parts, options and accessories against defects of material and workmanship. This warranty is limited to defects or damages resulting from a normal residential use. For further details on our product warranty, please refer to our catalog or web site.