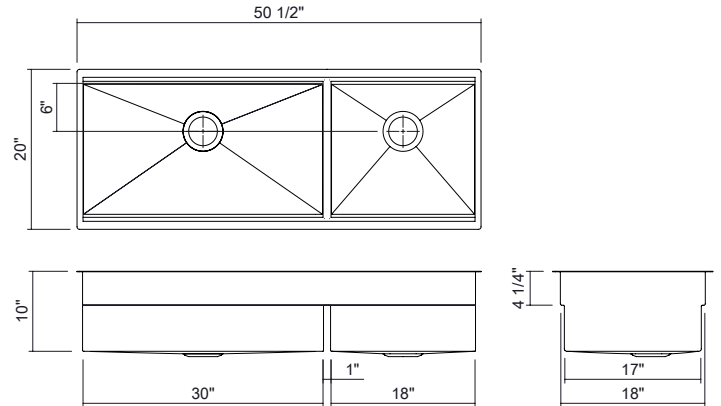


JULIEN

SM005835 | SMARTSTATION® SET

UNDERMOUNT DOUBLE-BOWL WORKSTATION KITCHEN SINK WITH ACCESSORIES, FRONT-TO-BACK 18"



Specifications

| | |
|----------------------|--|
| Model | SM005835 |
| Collection | SmartStation® |
| Bowl dimensions | L 30" x 18" x 10" R 18" x 18" x 10" |
| Overall dimensions | 50.5" x 20" x 10" |
| Recommended cabinet | Custom |
| Accessories material | Black Wood Fiber Composite |
| Installation options | Reveal 1/2" Overhang 1/8" |

Included accessories

| | |
|----------------------------------|--------------------|
| Premium XL cutting board | SM255101 |
| Cutting board | SM255103 |
| Multi-tier bowl and colander set | SM255209 |
| 12" drying rack | SM255203 |
| Grid | SM200968, SM200964 |

Recommended accessories

| | | |
|--|------------------------------|--------------------|
| | All-purpose chill & thaw bin | SM255211 |
| | 6" colander | SM255207 |
| | 6" drying rack | SM255202, SM255200 |
| | 12" drying rack | SM255205 |
| | Drain | 100082 |

Features

- This set includes the following accessories: a premium XL multi-level cutting board, 12-inch cutting board, 12-inch drying rack and a multi-prep bowl & colander set.
- Proudly handcrafted in Canada.
- Commercial-grade 304 (18/10) stainless steel, 16-gauge thickness with a No. 4 brushed finish, providing strength, corrosion resistance, and seamless integration with appliances.
- Premium sustainable material, 100% recyclable.
- Two installation options optimized for any countertop thickness: overhang or reveal.
- Two-tier workstation: lower tier with a ledge inside the sink, and upper tier with a ledge positioned for reveal installation or designed for countertop use in overhang installation.
- Sink combining the style of the UrbanEdge® and J7® collections: square vertical corners and rounded bottom angles for easier cleaning and water drainage, improving hygiene and maintenance.
- Enhanced noise reduction with our integrated sound-absorption technology, which reduces noise while helping maintain water temperature.
- Flat bottom and straight sides for optimized space, with elegant grooves that facilitate water drainage.
- Rear or side 3-1/2-inch drain placement.
- Certifications: ASME A112.19.3, CSA B45.0, CSA B45.4.

Warranty

JULIEN Inc. offers a LIMITED LIFETIME WARRANTY on the fixed components of its stainless steel sinks against defects of material and workmanship as well as a 1-YEAR LIMITED WARRANTY following the purchase date for all accessories against defects of material and workmanship. This warranty is limited to defects or damages resulting from a normal residential use. For further details on our product warranty, please refer to our catalog or web site.