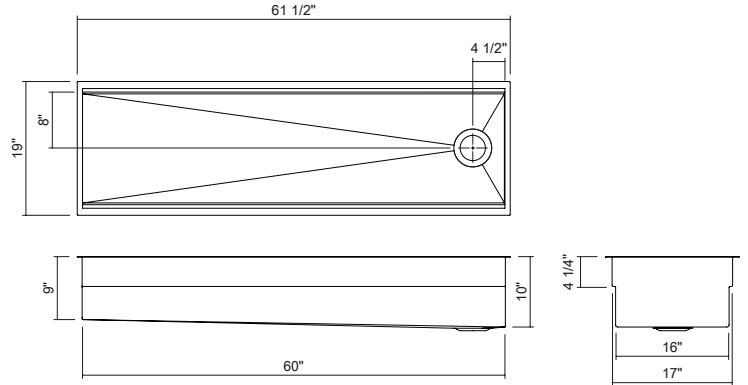


# JULIEN

## SM005722 | SMARTSTATION® SET

UNDERMOUNT SINGLE-BOWL WORKSTATION KITCHEN SINK WITH ACCESSORIES, FRONT-TO-BACK 17"



### Specifications

Model	SM005722
Collection	SmartStation®
Bowl dimensions	60" x 17" x 10"
Overall dimensions	61.5" x 19" x 10"
Recommended cabinet	Custom
Accessories material	Maple Hardwood
Installation options	Reveal 1/2" Overhang 1/8"

### Included accessories

Premium XL cutting board	SM245100
Cutting board	SM245102
Multi-tier bowl and colander set	SM245208
12" drying rack	SM245204
Grid	SM200960, SM200959

### Recommended accessories

	All-purpose chill & thaw bin	SM245210
	6" Colander	SM245206
	6" drying rack	SM245200, SM245201
	12" drying rack	SM245203
	Drain	100082

### Features

- This set includes the following accessories: a premium XL multi-level Cutting board, 12-inch Cutting board, 12-inch drying rack and a multi-prep bowl & colander set.
- Proudly handcrafted in Canada.
- Commercial-grade 304 (18/10) stainless steel, 16-gauge thickness with a No. 4 brushed finish, providing strength, corrosion resistance, and seamless integration with appliances.
- Premium sustainable material, 100% recyclable.
- Two installation options optimized for any countertop thickness: overhang or reveal.
- Two-tier workstation: lower tier with a ledge inside the sink, and upper tier with a ledge positioned for reveal installation or designed for countertop use in overhang installation.
- Sink combining the style of the UrbanEdge® and J7® collections: square vertical corners and rounded bottom angles for easier cleaning and water drainage, improving hygiene and maintenance.
- Enhanced noise reduction with our integrated sound-absorption technology, which reduces noise while helping maintain water temperature.
- Flat bottom and straight sides for optimized space, with elegant grooves that facilitate water drainage.
- Rear or side 3-1/2-inch drain placement.
- Certifications: ASME A112.19.3, CSA B45.0, CSA B45.4.

### Warranty

JULIEN Inc. offers a LIMITED LIFETIME WARRANTY on the fixed components of its stainless steel sinks against defects of material and workmanship as well as a 1-YEAR LIMITED WARRANTY following the purchase date for all accessories against defects of material and workmanship. This warranty is limited to defects or damages resulting from a normal residential use. For further details on our product warranty, please refer to our catalog or web site.