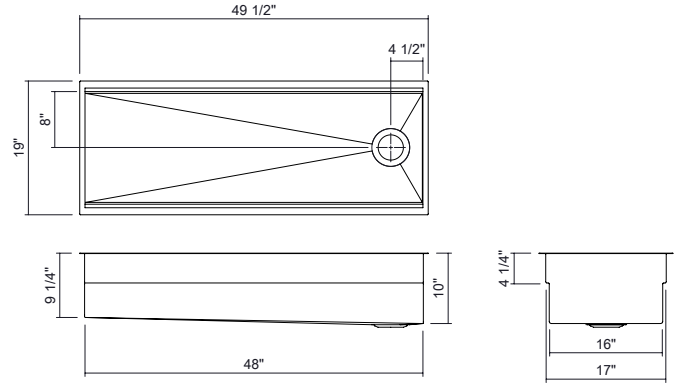


JULIEN

SM005720 | SMARTSTATION® SET

UNDERMOUNT SINGLE-BOWL WORKSTATION KITCHEN SINK WITH ACCESSORIES, FRONT-TO-BACK 17"



Specifications

| | |
|----------------------|------------------------------|
| Model | SM005720 |
| Collection | SmartStation® |
| Bowl dimensions | 48" x 17" x 10" |
| Overall dimensions | 49.5" x 19" x 10" |
| Recommended cabinet | Custom |
| Accessories material | Maple Hardwood |
| Installation options | Reveal 1/2" Overhang 1/8" |

Included accessories

| | |
|----------------------------------|--------------------|
| Premium XL cutting board | SM245100 |
| Cutting board | SM245102 |
| Multi-tier bowl and colander set | SM245208 |
| 12" drying rack | SM245204 |
| Grid | SM200953, SM200959 |

Recommended accessories

| | | |
|--|------------------------------|--------------------|
| | All-purpose chill & thaw bin | SM245210 |
| | 6" Colander | SM245206 |
| | 6" drying rack | SM245200, SM245201 |
| | 12" drying rack | SM245203 |
| | Drain | 100082 |

Features

- This set includes the following accessories: a premium XL multi-level Cutting board, 12-inch Cutting board, 12-inch drying rack and a multi-prep bowl & colander set.
- Proudly handcrafted in Canada.
- Commercial-grade 304 (18/10) stainless steel, 16-gauge thickness with a No. 4 brushed finish, providing strength, corrosion resistance, and seamless integration with appliances.
- Premium sustainable material, 100% recyclable.
- Two installation options optimized for any countertop thickness: overhang or reveal.
- Two-tier workstation: lower tier with a ledge inside the sink, and upper tier with a ledge positioned for reveal installation or designed for countertop use in overhang installation.
- Sink combining the style of the UrbanEdge® and J7® collections: square vertical corners and rounded bottom angles for easier cleaning and water drainage, improving hygiene and maintenance.
- Enhanced noise reduction with our integrated sound-absorption technology, which reduces noise while helping maintain water temperature.
- Flat bottom and straight sides for optimized space, with elegant grooves that facilitate water drainage.
- Rear or side 3-1/2-inch drain placement.
- Certifications: ASME A112.19.3, CSA B45.0, CSA B45.4.

Warranty

JULIEN Inc. offers a LIMITED LIFETIME WARRANTY on the fixed components of its stainless steel sinks against defects of material and workmanship as well as a 1-YEAR LIMITED WARRANTY following the purchase date for all accessories against defects of material and workmanship. This warranty is limited to defects or damages resulting from a normal residential use. For further details on our product warranty, please refer to our catalog or web site.