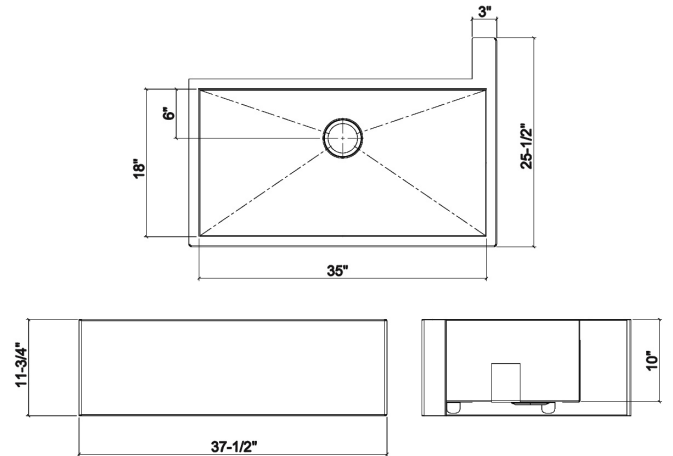
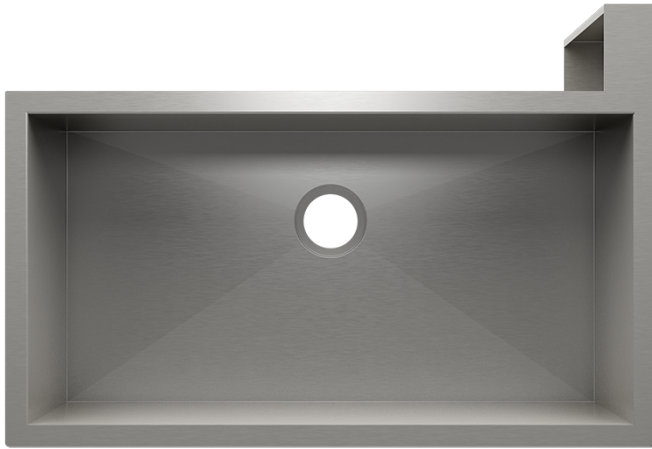


## 005305 | SOCIALCORNER

UNDERMOUNT WITH APRON FRONT STAINLESS STEEL KITCHEN SINK



### Specifications

Model	005305
Collection	SocialCorner
Bowl dimensions	35" × 18" × 10"
Overall dimensions	37 1/2" × 25 1/2" × 11 3/4"
Recommended cabinet	36"

### Recommended accessories

Drain	100082
Grid	200935
Colander	205225
Bin	205228
Tray	205234
Cutting board	210067
Drying Rack	215208

### Warranty

Home Refinements offers a LIMITED LIFETIME WARRANTY on the fixed components of its stainless steel sinks against defects of material and workmanship. For further details on our product warranty, please refer to our catalog or Web site.

### Features

- Designed by Matthew Quinn
- Handcrafted in Canada
- Commercial quality stainless steel - 16 ga thickness
- Corrosion resistant material - 304 series (18/10)
- Environmentally friendly product, 100% recyclable
- Elegant no. 4 brushed finish that matches the appliances
- Unique island corner installation to allow two people to work at the sink at the same time
- Designed for right corner installation
- Highly efficient sound deadening pads
- Practical flat sink bottom and straight bowl sides that maximize available space in the bowl
- Stylish and functional bowl bottom grooves that facilitate water drainage
- Rear 3-1/2" drain placement
- Mounting hardware included
- Certifications: ASME A112.19.3, CSA B45.0, CSA B45.4