

**PBV1005A | Pressure Balance Valve With Integrated 2-Way Diverter** Page 1 of 2

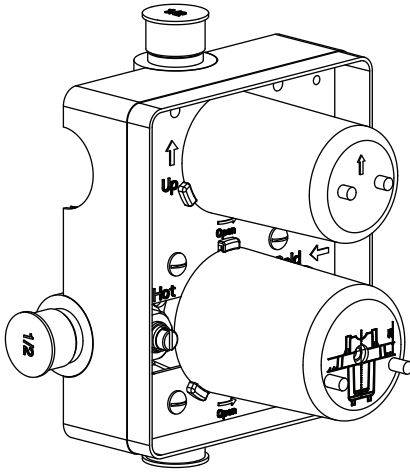


**SPECIFICATIONS:**

- Lift Handle to control volume. Turn left for hot, right for cold.
- Knob controls 2-way water diversion - shared output.
- Pressure Balance Valve Flow Rate - 5.5 GPM @ 60 PSI
- Extension Available - PBV.2100E\*\*

**STANDARDS:**

- ASME A112.18.1 / CSA B125.1



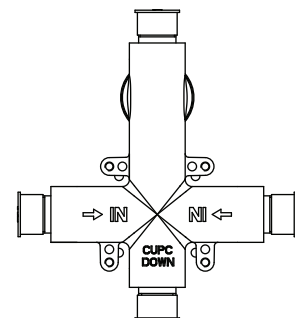
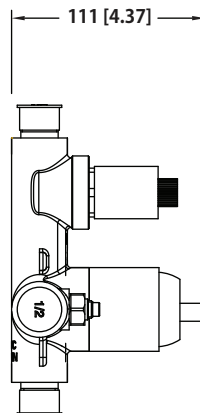
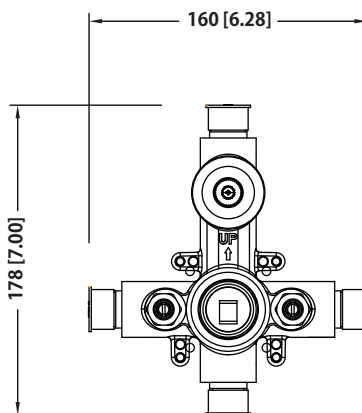
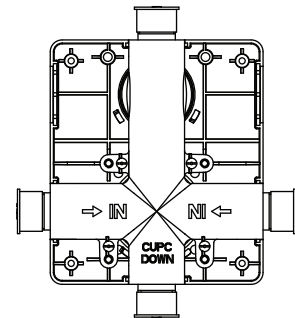
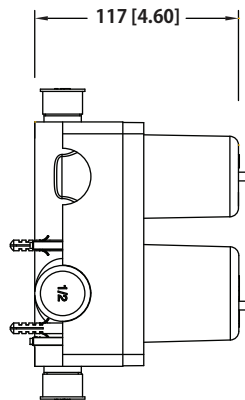
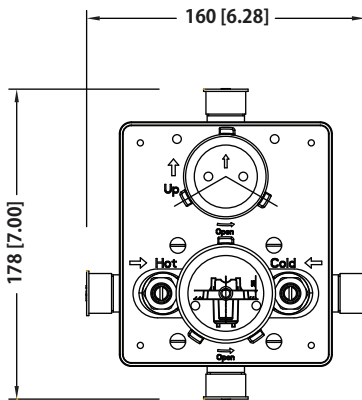
Legislation Compliance



ZeroDrip Technology



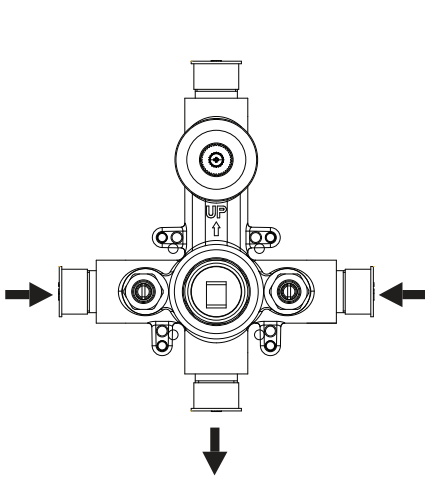
**Technical Diagram**



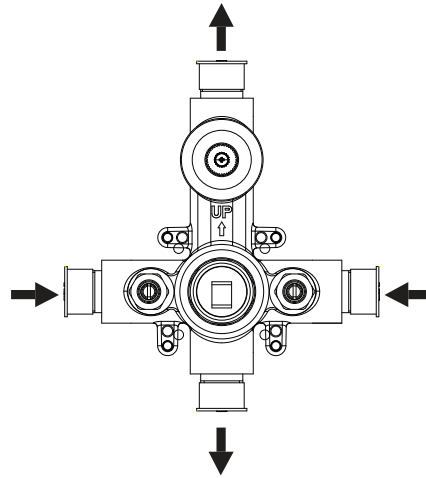
PBV1005A | Pressure Balance Valve With Integrated 2-Way Diverter Page 2 of 2



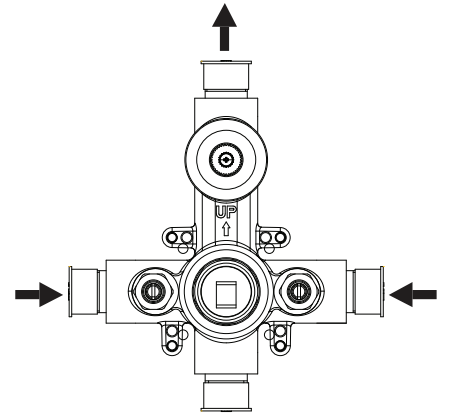
Water Diversion Diagram



Diverter Position = Left



Diverter Position = Middle  
Shared Flow is Low Transition Flow



Diverter Position = Right