

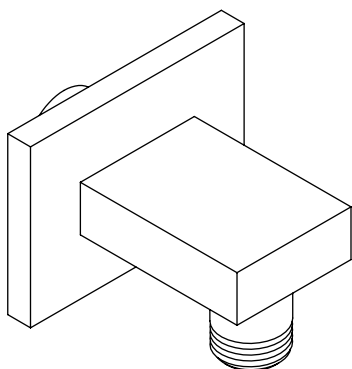
160.5505 | Wall Elbow

SPECIFICATIONS:

- Solid Brass construction
- 1/2" female connection with adjustable slide on installation
- Includes check valve with back-flow prevention

FINISHES :

- Chrome - 160.5505CP / Brushed Nickel - 160.5505BN



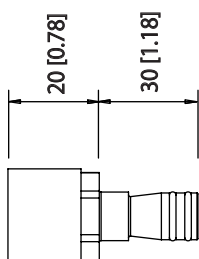
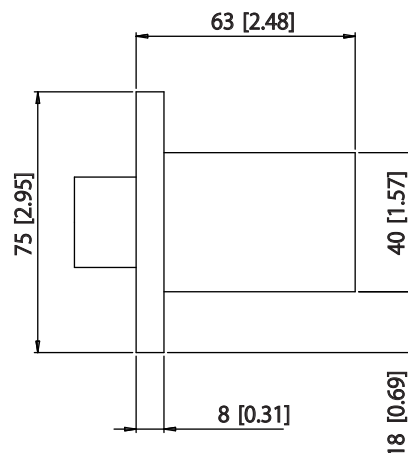
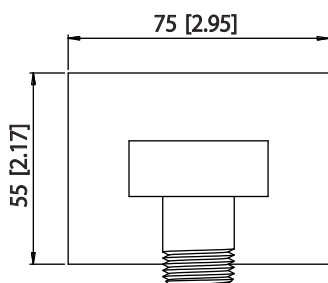
Legislation Compliance



ZeroDrip Technology



Technical Diagram



Female NPT 1/2" Connector
Part # - FEM.5505

