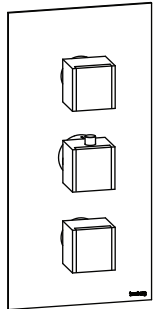


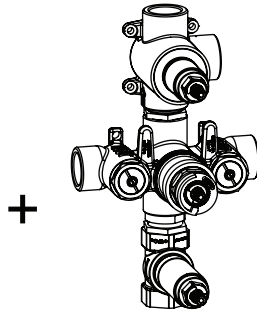


150.4501 | Three Output 3/4" Thermostatic Valve & Trim

SPECIFICATIONS:



Trim
[150.4500T**]



Valve
[TVH.4501]

- Turn middle knob to control temperature.
- Turn top knob to divert water flow between outlets 1 & 2.
- Turn bottom knob to control water flow of outlet 3.
- Thermostatic Valve Flow Rate - 13.0 GPM @ 60 PSI
- Extension Available - TVH.4401E**

!
A separate volume control is **not** needed to turn water supply off. Volume control functionality is integrated within this valve.

Belgian Mirror Finish



Legislation Compliance

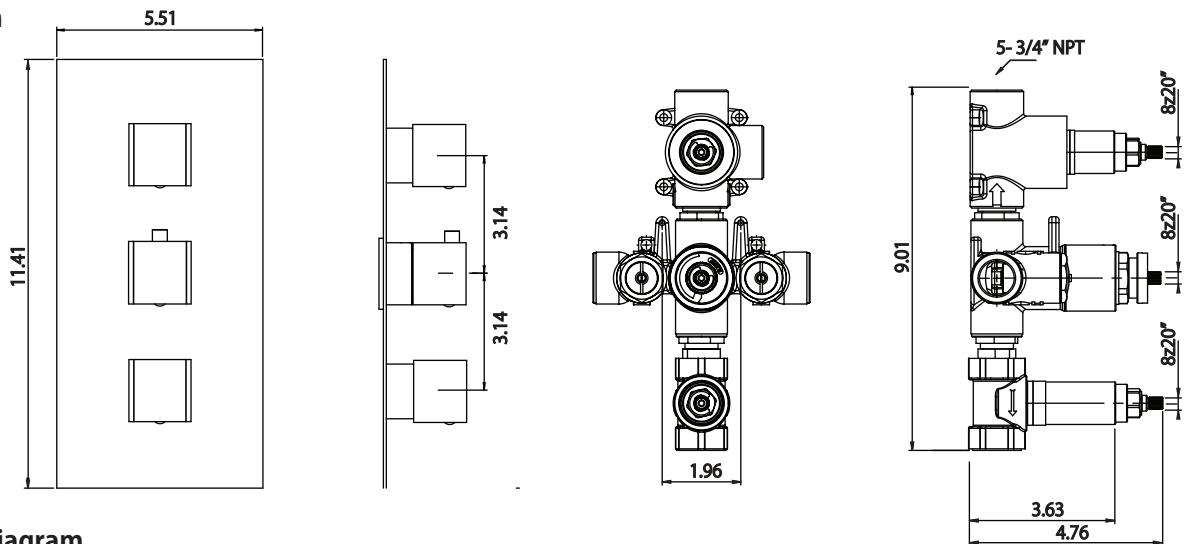


ZeroDrip Technology



See Spec Sheet For TVH.4501 For Detailed Information On Valve.

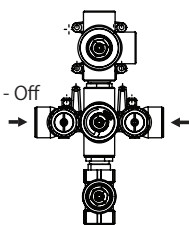
Technical Diagram



Water Diversion Diagram

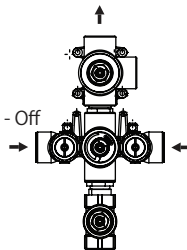
Top Diverter Position - Off

Bottom Volume Control Position - Off



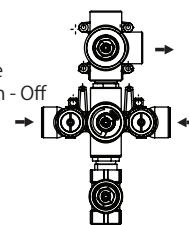
Top Diverter Position - 2

Bottom Volume Control Position - Off



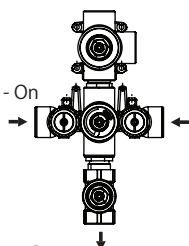
Top Diverter Position - 1

Bottom Volume Control Position - Off



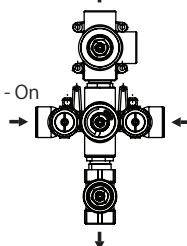
Top Diverter Position - Off

Bottom Volume Control Position - On



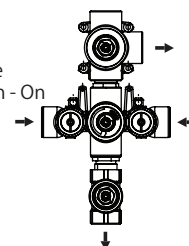
Top Diverter Position - 2

Bottom Volume Control Position - On



Top Diverter Position - 1

Bottom Volume Control Position - On



TVH.4501 | Three Output 3/4" Thermostatic Valve Page 1 of 2



SPECIFICATIONS:

- Turn middle knob to control temperature.
- Turn top knob to divert water flow between outlets 1 & 2.
- Turn bottom knob to control water flow of outlet 3.
- Thermostatic Valve Flow Rate - 13.0 GPM @ 60 PSI

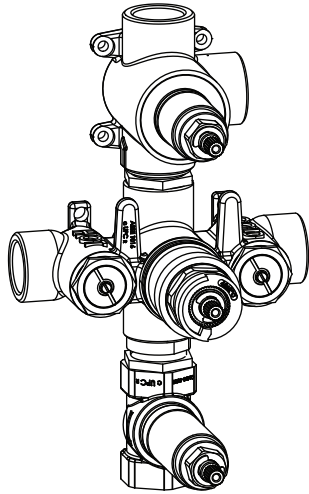
STANDARDS:

- ASME A112.18.1 / CSA B125.1

WARRANTY:

- Limited lifetime warranty to the original consumer purchaser against finish and workmanship

! A separate volume control is **not** needed to turn water supply off. Volume control functionality is integrated within this valve.



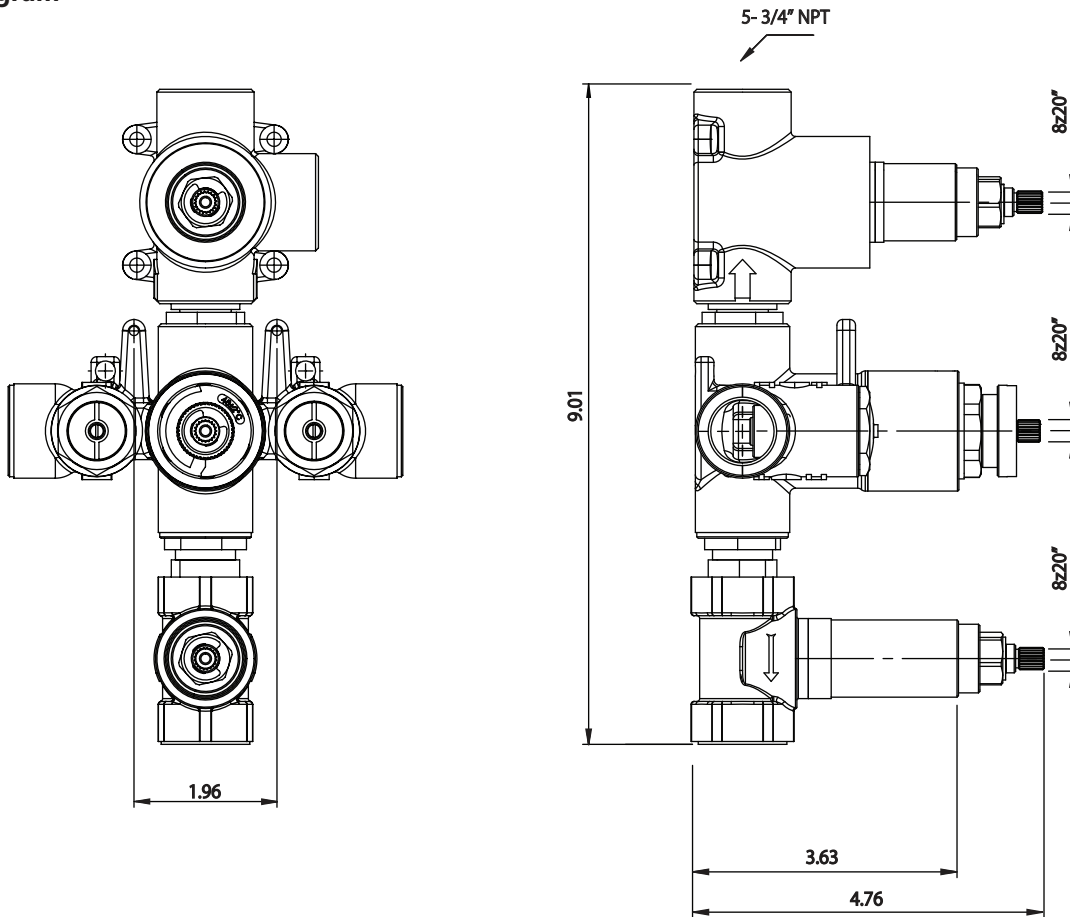
Legislation Compliance



ZeroDrip Technology



Technical Diagram



TVH.4501 | Three Output 3/4" Thermostatic Valve Page 2 of 2



Water Flow Diagram

