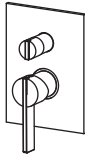


145.3250 | Two Output Shower W/ Shower Head & Hand Held



COMPONENTS

- HS1030 - 7" Shower Arm
- HSB.6R - 6" Shower Head
- 145.2100T - Shower Trim
- PBV.1005A - Shower Valve
- HS8008 - Elbow w/ Holder
- SP.150EM - 1.5m Hose
- HS5100 - Hand Held

SHOWER VALVE:

- Pressure balance shower valve
- Valve includes service stops
- Lift bottom handle to control volume
- Turn left for hot, right for cold
- Top handle controls water diversion
- 1/2" NPT

SHOWER HEAD:

- Single function
- Solid brass construction
- 1.8 GPM flow rate

HAND HELD:

- Solid Brass construction
- 1.8 GPM flow rate
- With back flow prevention check valve

STANDARDS:

- ASME A112.18.1 / CSA B125.1

See individual component specification sheets on following pages for further details.



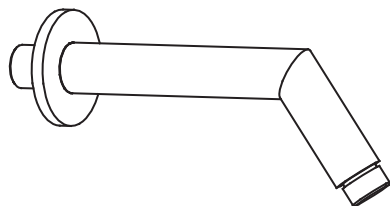
HS1030 | Round Shower Arm

SPECIFICATIONS:

- Solid Brass Shower Arm
- With Brass Flange

FAST SHIP FINISHES :

- Chrome - HS1030CP / Brushed Nickel - HS1030BN



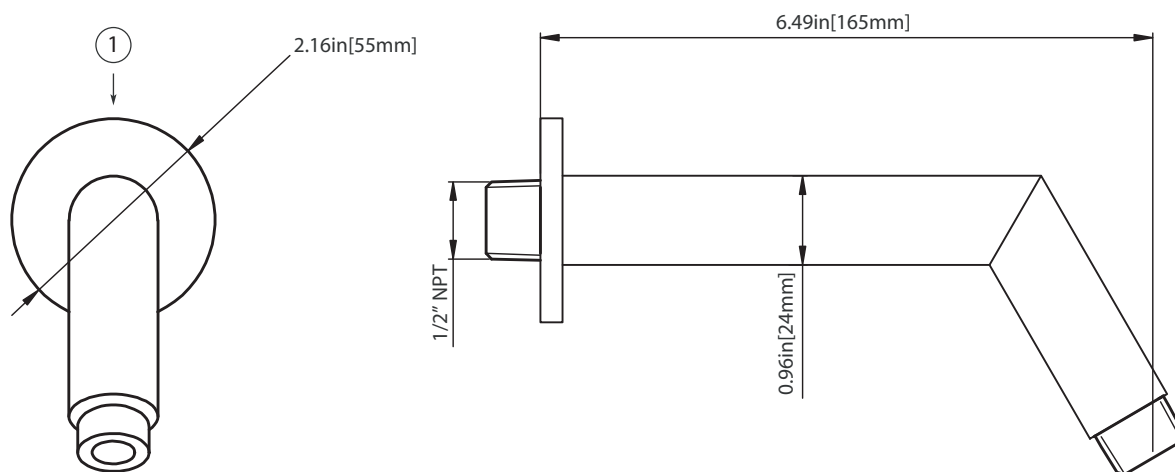
Legislation Compliance



ZeroDrip Technology



Technical Diagram



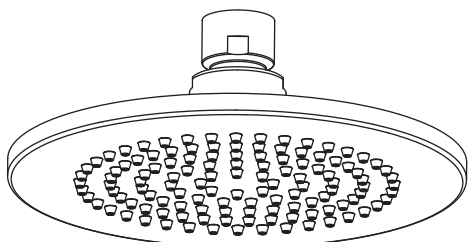
Part Number Guide:

- ① Flange - HS1030-1253CP - Chrome
HS1030-1253BN - Brushed Nickel

HSB.6R | 6" Brass Shower Head

SPECIFICATIONS:

- Solid Brass Shower Head
- Scrub rubber nozzles to easily clean water sediment
- 1.8 GPM Flow Rate
- 123 Nozzles
- Use with HS1030 Shower Arm



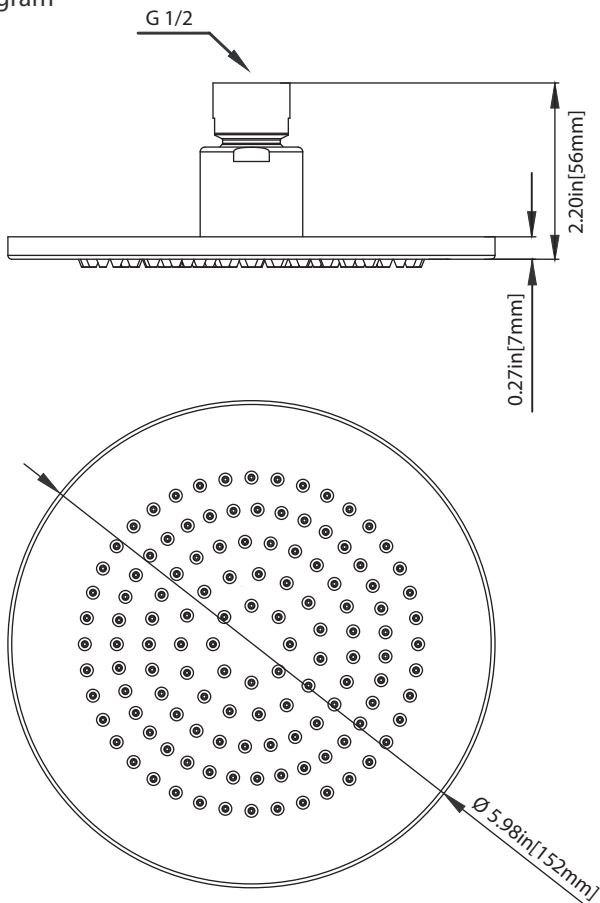
Legislation Compliance



ZeroDrip Technology

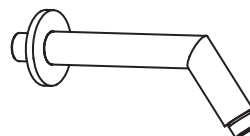


Technical Diagram



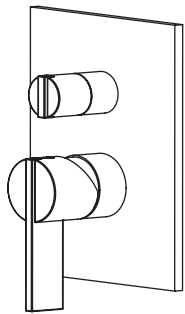
MATCHING SHOWER ARMS:

- 1) HS1030



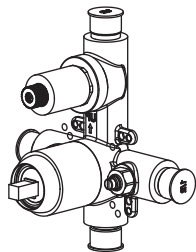


**145.2100 | Tub / Shower Trim Set With Pressure Balance Valve & 2-Way Diverter
with Integrated Volume Control**



Trim
[145.2100T**]

+



Valve
[PBV1005A**]

SPECIFICATIONS:

- Includes Pressure balance valve (PBV1005A**) w/ service stops
- Lift Handle to control volume. Turn left for hot, right for cold.
- Small knob controls 2-way water diversion
- Pressure Balance Valve Flow Rate - 5.5 GPM @ 60 PSI
- Extension Available - PBV.2100E**

FAST SHIP FINISHES:

- Chrome - UF.2100CP / Brushed Nickel - UF.2100BN

** Denotes Finish (CP, BN, etc.)

Legislation Compliance

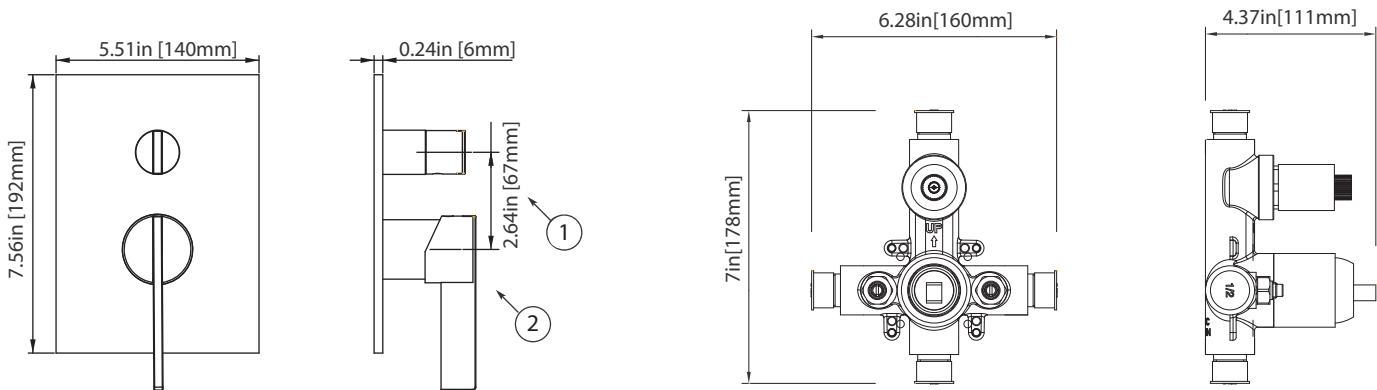


ZeroDrip Technology

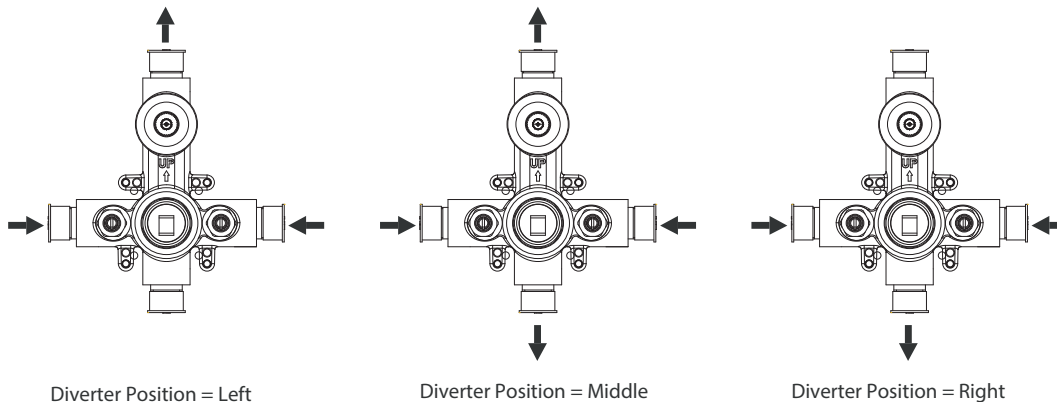


See Spec Sheet For
PBV1005A For Detailed
Information On Valve.

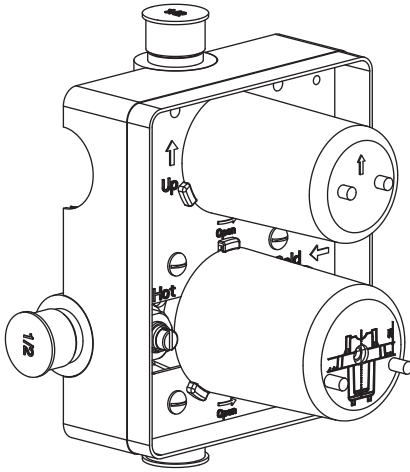
Technical Diagram



Water Diversion Diagram



PBV1005A | Pressure Balance Valve With Integrated 2-Way Diverter



SPECIFICATIONS:

- Lift Handle to control volume. Turn left for hot, right for cold.
- Knob controls 2-way water diversion - shared output.
- Pressure Balance Valve Flow Rate - 5.5 GPM @ 60 PSI

FAST SHIP FINISHES :

- Chrome - PBV1005ACP / Brushed Nickel - PBV1005ABN /

STANDARDS:

- ASME A112.18.1 / CSA B125.1

WARRANTY:

- Limited lifetime warranty to the original consumer purchaser against finish and workmanship

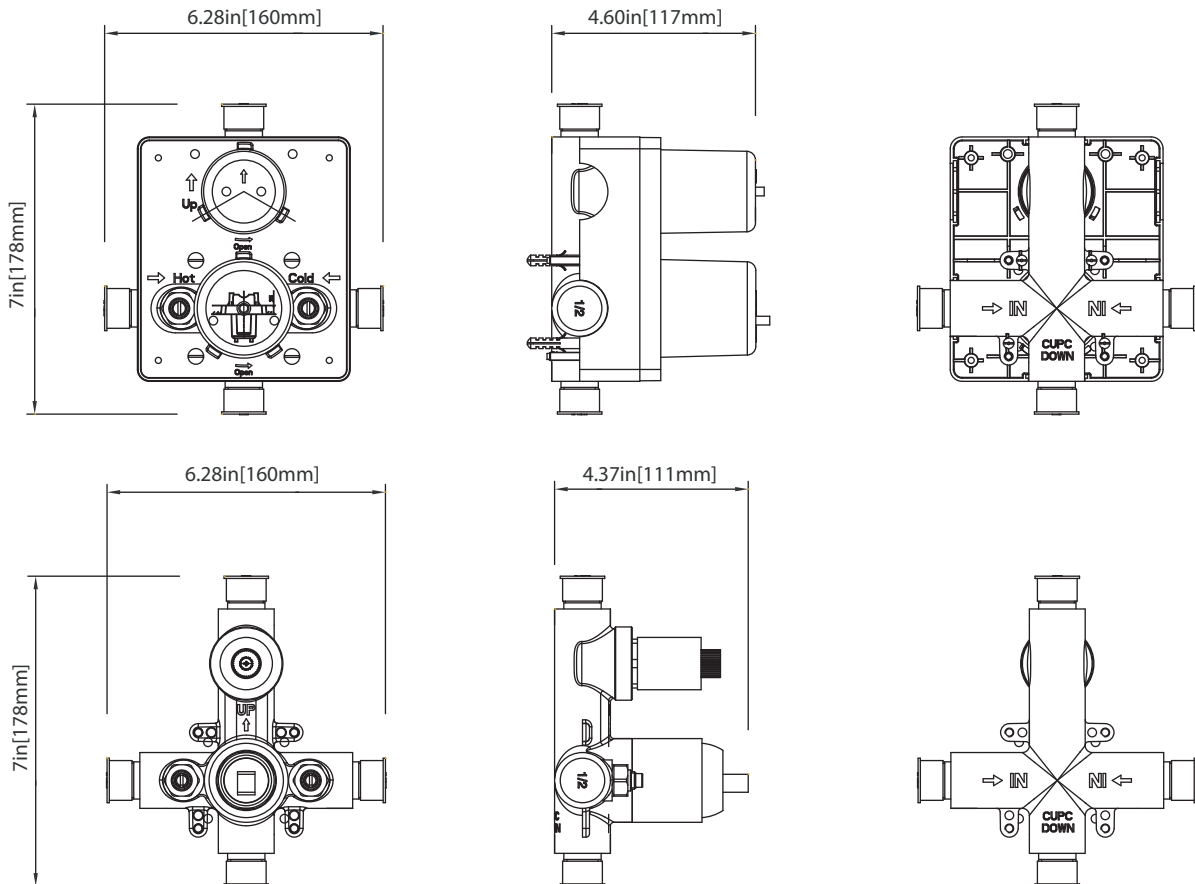
Legislation Compliance



ZeroDrip Technology



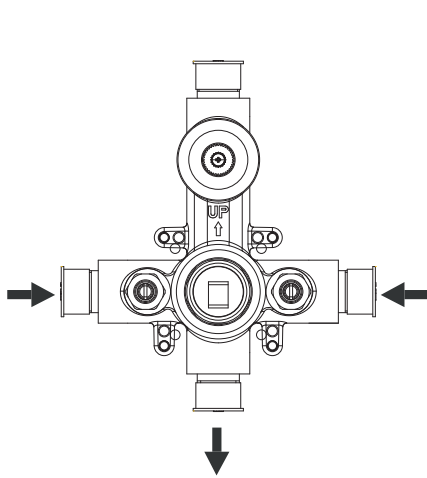
Technical Diagram



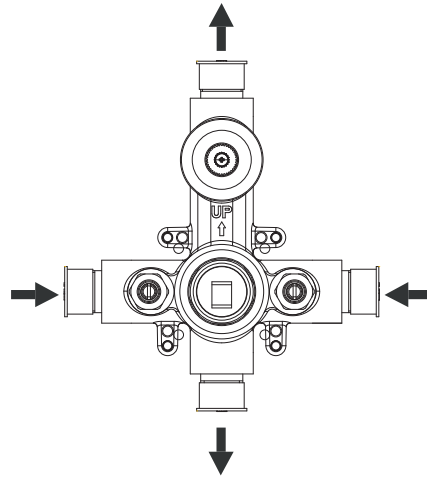
PBV1005A | Pressure Balance Valve With Integrated 2-Way Diverter



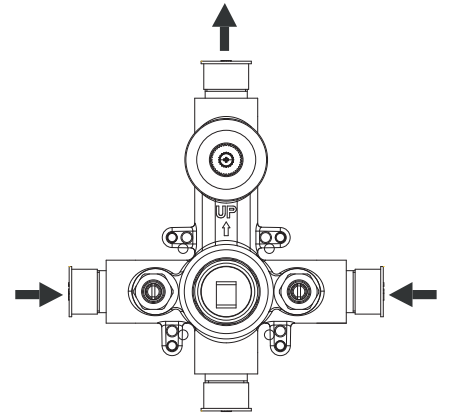
Water Diversion Diagram



Diverter Position = Left



Diverter Position = Middle
Shared Flow is Low Transition Flow



Diverter Position = Right

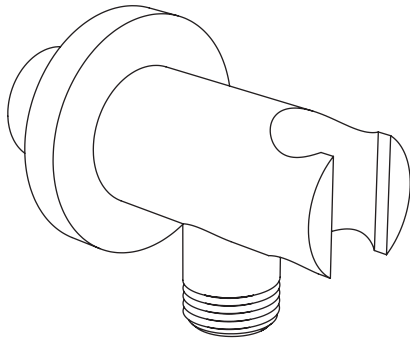
HS8008 | Wall Elbow With Holder Combo

SPECIFICATIONS:

- Solid Brass construction
- Includes check valve with back flow prevention.

FAST SHIP FINISHES :

- Chrome - HS8008CP / Brushed Nickel - HS8008BN



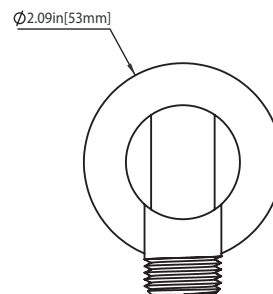
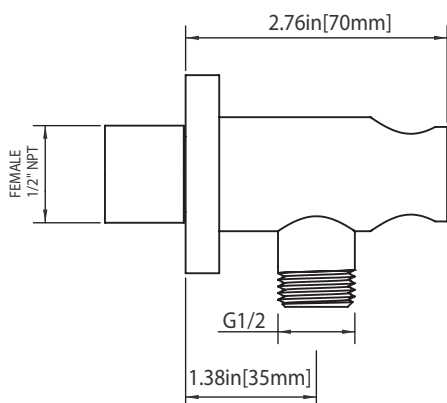
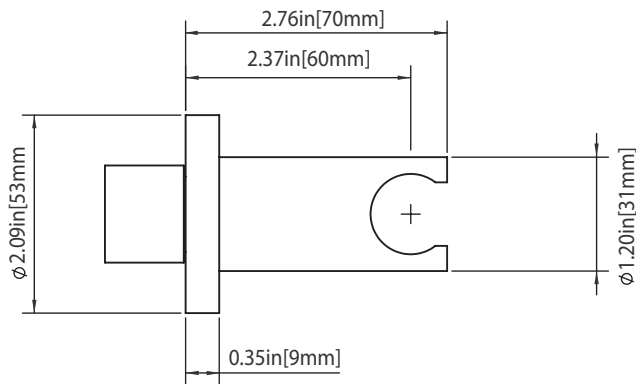
Legislation Compliance



ZeroDrip Technology



Technical Diagram



SP.150EM | Easy Maneuver Hose



SPECIFICATIONS:

- Stainless steel construction
- G-1/2" connection
- 1.5m length

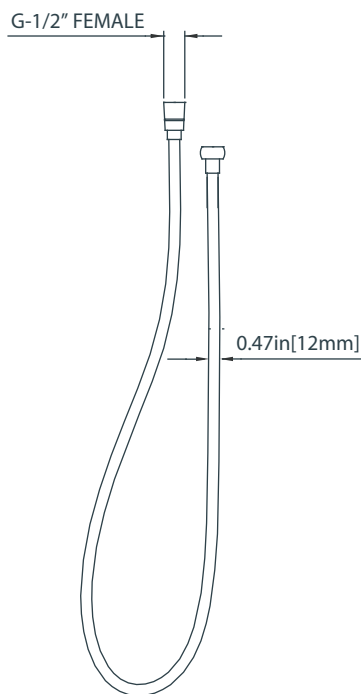
Legislation Compliance



ZeroDrip Technology



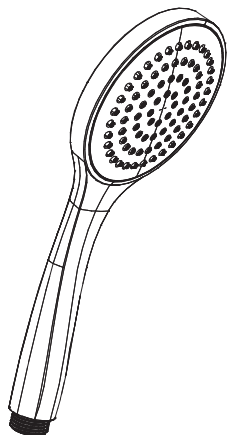
Technical Diagram



HS5100 | 100mm Single Function Hand-Shower

SPECIFICATIONS:

- ABS Construction
- Scrub nozzles to easily clean water sediment
- 1.8 GPM Flow Rate
- Includes backflow prevention check valve



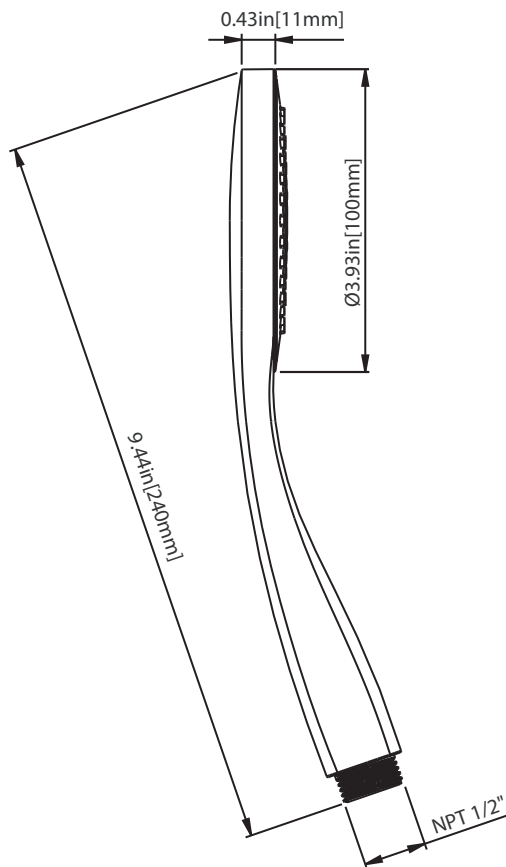
Legislation Compliance



ZeroDrip Technology



Technical Diagram



SEE ALSO:

1) HS5130 (130mm)

