



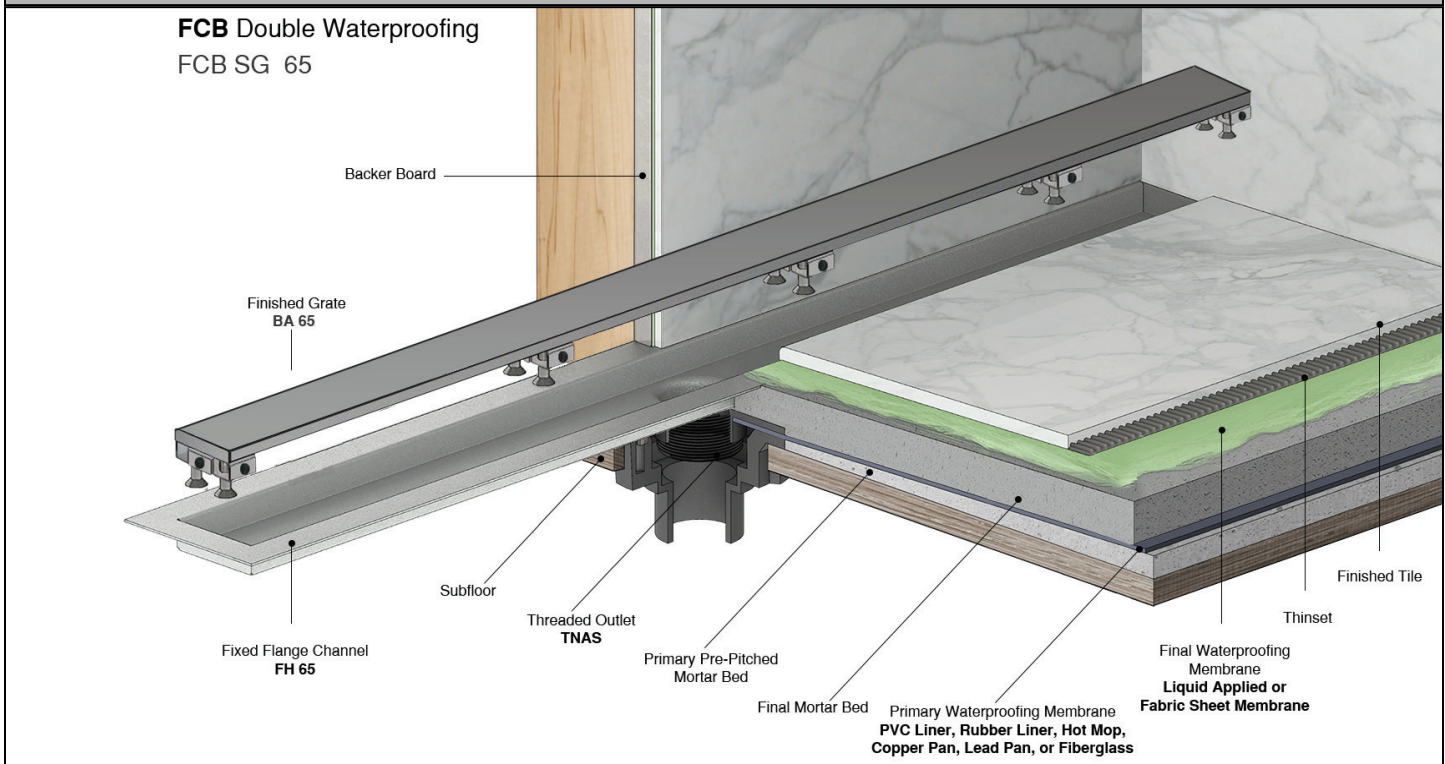
FCBSG 65 Double Waterproofing Series

- FCBSG 6524 - 24" Complete Kit
- FCBSG 6532 - 32" Complete Kit
- FCBSG 6536 - 36" Complete Kit
- FCBSG 6542 - 42" Complete Kit
- FCBSG 6548 - 48" Complete Kit
- FCBSG 6560 - 60" Complete Kit

Features

- Pre-pitched Fixed Flange channel with center 2" threaded outlet
 - Indoor or outdoor use
 - 7 gauge - 3/16", 304L stainless steel grate
 - 16 gauge, 304L stainless steel channel
 - Pre pitched channel
 - NOT Site Sizable*
- Compatible with:
 - Primary waterproofing: PVC Liner, Rubber Liner, Hot Mop, Copper Pan, Lead Pan, or Fiberglass
 - Secondary waterproofing: liquid applied or fabric sheet membrane
 - Flow rate - 9 gpm per outlet
 - Flow rate measured at outlet only. Measurement does not account for water in channel or sheeting on shower floor.
 - Additional outlets can be added and combined into a larger waste line to increase flow rates

Installation



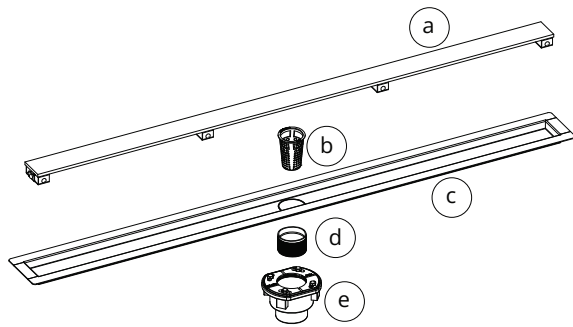
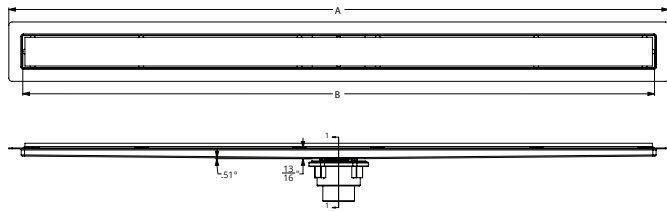
Care & Maintenance

FCBSG 65 stainless steel linear drain top grates are made of 304L stainless steel. This material is non-porous, hygienic, rust-free and extremely durable. Bar Keepers Friend® and Soft Scrub® are commonly available products that can be used to protect and clean your Satin Stainless drain cover. For stains that have been left for an excessive amount of time, stronger cleaning agents such as Steel Brite® may be needed. For all finishes we recommend using mild soap and a soft cloth for cleaning. DO NOT use any abrasive cleaners, scrub pads or allow household cleaning agents, such as bleach, to sit on the drain cover for a long period of time. Stainless steel does not rust. External factors, such as contamination from other highly ferrous metals, built up road salt, sea salt, or chlorine may have caused "surface" rust which can be removed using Barkeepers Friend®, Soft Scrub®, or Steel Brite Cleaner. Always follow the directions on the bottle. Follow proper maintenance procedures to prevent excessive surface rust. In areas of frequent exposure to salt, chlorine, and other chemical compounds, maintenance of the stainless grates should be performed at least 2-3 times per year.

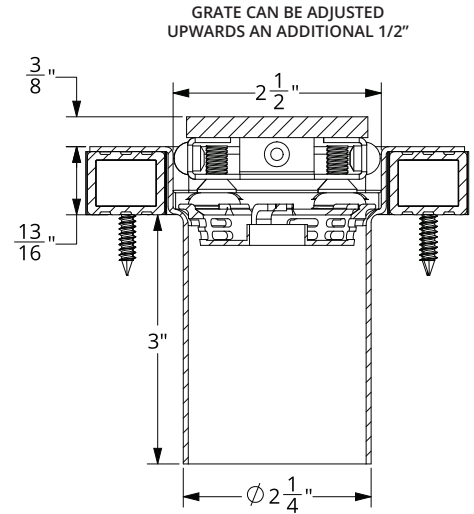
Infinity Drain
145 Dixon Avenue
Amityville, NY 11701
Phone: 516.767.6786
Fax: 516.740.3066
www.infinitydrain.com



NOTE: Installer must verify all rough-in dimensions prior to installation and consult local and national codes. Conformity and compliance to local and national codes are the responsibility of the installer.



- ⊙ BA 65 - Stainless Steel Grate
- ⊙ HB 65 - Hair Basket
- ⊙ FCB 65 - Stainless Steel Channel
- ⊙ TNAS - Threaded Nipple
- ⊙ 2 inch clamp down drain assembly
Not included in kit SKU.
(Material can be Cast Iron, ABS, or PVC)



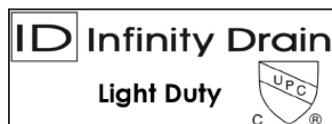
SECTION 1-1

Model Number	Complete Kit Contents	A (Maximum Overall Length)	B (Maximum Grate Length)
<input type="checkbox"/> FCBSG 6524	1 - BA 6524 Grate 1 - FC 6524 Fixed Flange Channel 1 - TNAS Threaded Nipple	26 1/8"	23 7/8"
<input type="checkbox"/> FCBSG 6532	1 - BA 6532 Grate 1 - FC 6532 Fixed Flange Channel 1 - TNAS Threaded Nipple	34 1/8"	31 7/8"
<input type="checkbox"/> FCBSG 6536	1 - BA 6536 Grate 1 - FC 6536 Fixed Flange Channel 1 - TNAS Threaded Nipple	38 1/8"	35 7/8"
<input type="checkbox"/> FCBSG 6542	1 - BA 6542 Grate 1 - FC 6542 Fixed Flange Channel 1 - TNAS Threaded Nipple	44 1/8"	41 7/8"
<input type="checkbox"/> FCBSG 6548	1 - BA 6548 Grate 1 - FC 6548 Fixed Flange Channel 1 - TNAS Threaded Nipple	50 1/8"	47 7/8"
<input type="checkbox"/> FCBSG 6560	1 - BA 6560 Grate 1 - FC 6560 Fixed Flange Channel 1 - TNAS Threaded Nipple	62 1/8"	59 7/8"

Finishes

- Satin Stainless (SS)
 Polished Stainless (PS)
 Oil Rubbed Bronze (ORB)
 Satin Bronze (SB)
 Matte Black (BK)

Infinity Drain
 145 Dixon Avenue
 Amityville, NY 11701
 Phone: 516.767.6786
 Fax: 516.740.3066
 www.infinitydrain.com



NOTE: Installer must verify all rough-in dimensions prior to installation and consult local and national codes. Conformity and compliance to local and national codes are the responsibility of the installer.

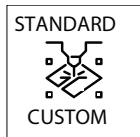
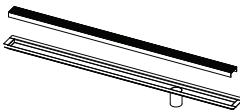
CUSTOM DOUBLE WATERPROOFING DRAINS

If you can imagine it, we can manufacture it. Infinity Drain® offers a variety of customized drainage solutions to your exact specification. Customize length, outlets, configuration, styles, and finishes.



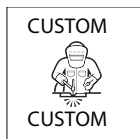
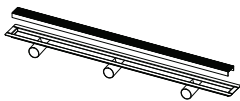
NEW Next Day Custom

- Purchase orders and sign offs received by 10am ET will ship the following day
- Completed custom form must accompany purchase order
- Straight configuration and custom lengths up to 96"
- Grate Styles: Wedge Wire, Offset Slotted, Tile Insert Frame
- Installation types: Fixed Flange (FF), Flanged with Schluter® - Kerdi (FCS), and Double Waterproofing (FCB)
- Custom outlet placement for multiple outlets
- Finishes: Satin Stainless, Polished Stainless, Oil Rubbed Bronze, Satin Bronze and Matte Black



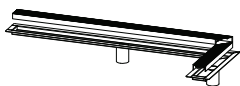
Standard Custom

- Purchase orders and sign offs received by 10am ET will ship within 15 business days
- Completed custom form must accompany purchase order
- Straight configuration and custom lengths up to 96"
- Any standard grate style options
- Installation types: Fixed Flange (FF), Flanged with Schluter® - Kerdi (FCS), and Double Waterproofing (FCB)
- Custom outlet placement for multiple outlets
- Finishes: Satin Stainless, Polished Stainless, Oil Rubbed Bronze, Satin Bronze and Matte Black



Custom-Custom

- Specialty installation options (Sink drain, Elevator drain, Threshold drain, Vinyl Clamp drain, etc.)
- Any shape and configuration
- Any installation type
- Any outlet type
- Any finish. Standard finishes and color match finish options available.



[CLICK HERE - TO LEARN MORE ABOUT CUSTOM FABRICATION](#)

For additional information regarding Custom Fabrication, Please contact Technical Support at info@infinitydrain.com