

W8181601-1, W8181602-1, W8181616-1, W8181649-1 - Lavatory Faucet

Description

TAZIO SINGLE CONTROL

- Replaceable cartridge
- Lift and turn lever handle
- Brass pop-up drain included
- 1.2 GPM
- Deck plate included

Standards

- Complies with IAPMO UPC/cUPC
- California AB100 Complaint
- ADA Accessibility Guidelines for Buildings and Facilities - 427.4 Controlled Mechanisms
- CALGreen compliant
- EPA WaterSense Certified by IAPMO R&T



W8181601-1



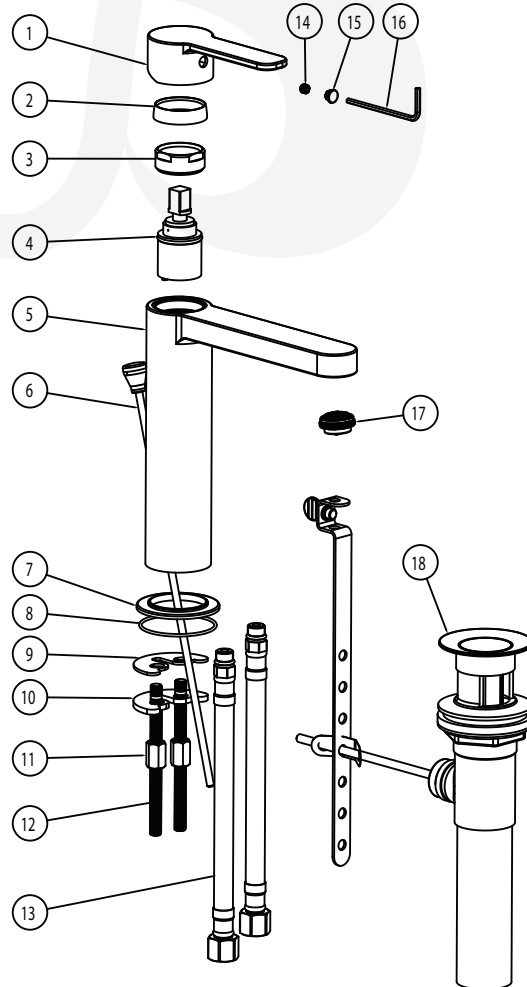
Colors / Finishes

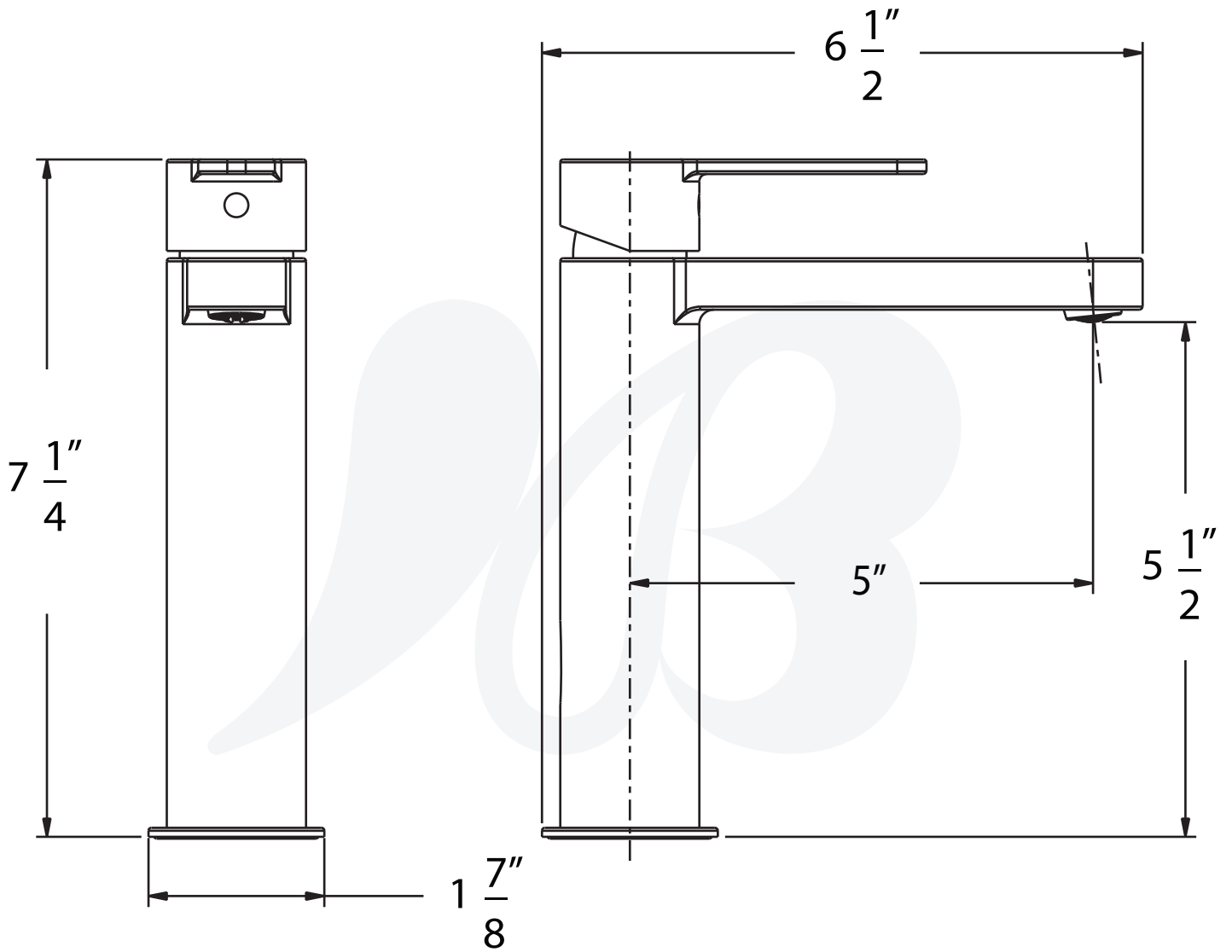
- W8181601-1** Chrome
- W8181602-1** PVD Satin Nickel
- W8181616-1** PVD Satin Brass
- W8181649-1** Matte Black

BREAK DOWN

Component Parts List

NO.	Part NO.	QTY
1	CTHZ0656	1
2	CTCB0628	1
3	CTCB0416	1
4	ATBA0297	1
5	CTYN0281	1
6	ATBM0025	1
7	CTDZ0122	1
8	CTRR0163	1
9	CTWR0028	1
10	CTWT0103	1
11	CTNB0321	2
12	CTST0013	2
13	ATBP0403	2
14	CTST0084	1
15	CTCP0072	1
16	CCQT0002	1
17	ATBX0087	1
18	ATAA0067	1
19	ATAA0124	1





Item Number	Type	Date
W8181601-1, W8181602-1, W8181616-1, W8181649-1	Lavatory Faucet	8-24-2021