

W8160801-1, W8160802-1, W8160816-1, W8160849-1 Single Control Lavatory Faucet

Description

RAZO SINGLE CONTROL

- One piece body
- Ceramic disc cartridge
- Brass pop-up
- 1.2 GPM

- Deck plate included

Standards

- Complies with IAPMO UPC/cUPC
- California AB100 Complaint
- ADA Accessibility Guidelines for Buildings and Facilities - 427.4 Controlled Mechanisms
- CALGreen compliant
- EPA WaterSense Certified by IAPMO R&T



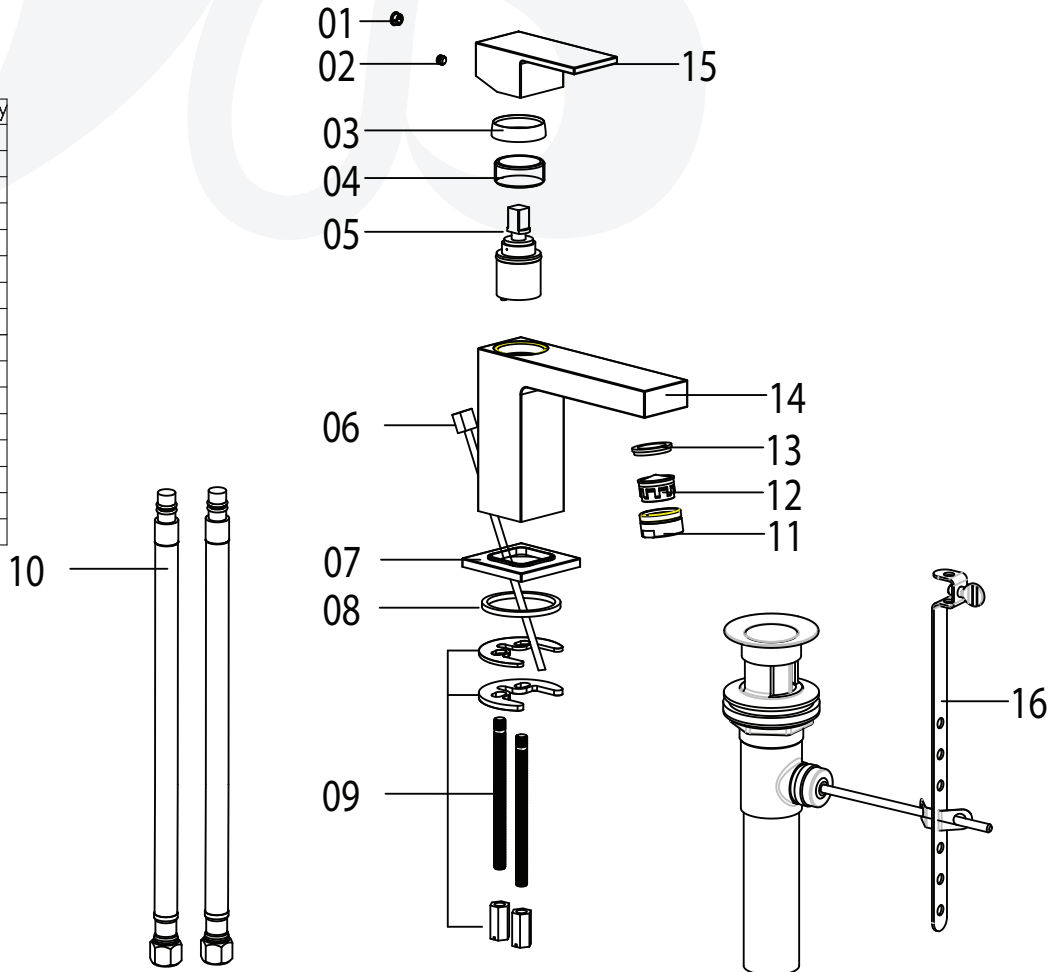
• W8160802-1

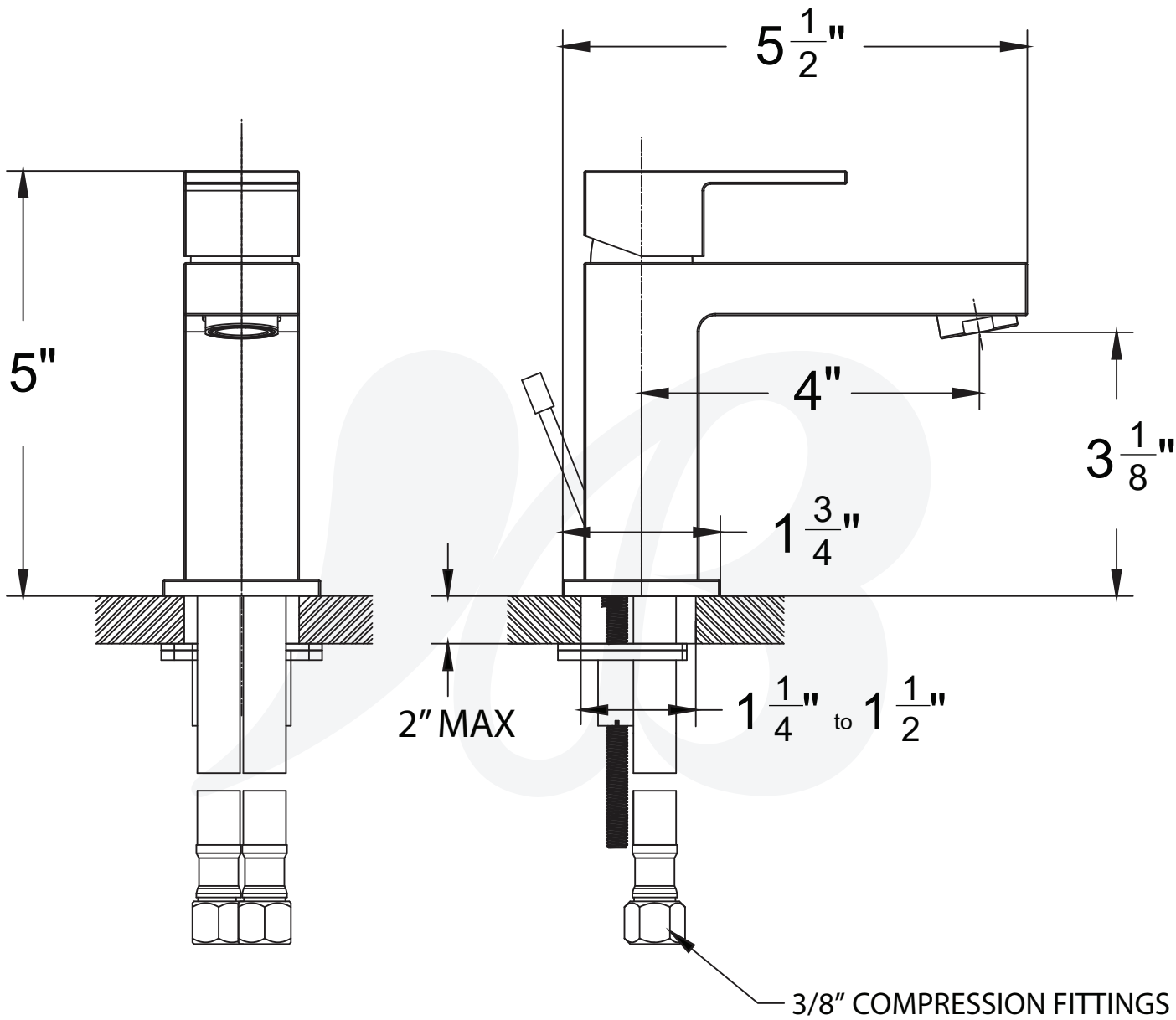
Colors / Finishes

- W8160801-1** Chrome
- W8160802-1** PVD Satin Nickel
- W8160816-1** PVD Satin Brass
- W8160849-1** Matte Black

**BREAK DOWN
Component Parts List**

NO.	Part No	Part Desc	Qty
01	CTCP0072	CAP	1
02	CTST0084	SCREW	1
03	CTCB0628	CAP	1
04	CTCB0416	RETAINER	1
05	ATBA0297	CARTRIDGE	1
06	ATBM0078	LIFT ROB	1
07	CTDZ0131	BASE	1
08	CTWR0290	WASHER	1
09	ATBQ0403	MOUNTING ASSEMBLY	1
10	ATBP0422	HOSE(9/16-24UNEF)	2
11	CTXB0053	AERATOR COVER	1
12	ATBX0040	AERATOR	1
13	CTWR0180	WASHER	1
14	CTYN0263	BODY	1
15	CTHZ0635	HANDLE	1
16	ATAA0067	POP-UP	1





Item Number	Type	Date
W8160801-1, W8160802-1, W8160816-1, W8160849-1	Single Control	8-11-2017