

**W4589901-4, W4589902-4, W4589916-4, W4589949-4 - Widespread Faucet**

**Description**

**NYX WIDESPREAD**

- Ceramic disc cartridges
- Push style pop-up drain assembly included
- 1/2" NPSM connections
- 1.2 GPM

**Standards**

- Complies with IAPMO UPC/cUPC
- California AB100 Compliant
- ADA Accessibility Guidelines for Buildings and Facilities - 427.4 Controlled Mechanisms
- CALGreen compliant
- EPA WaterSense Certified by IAPMO R&T

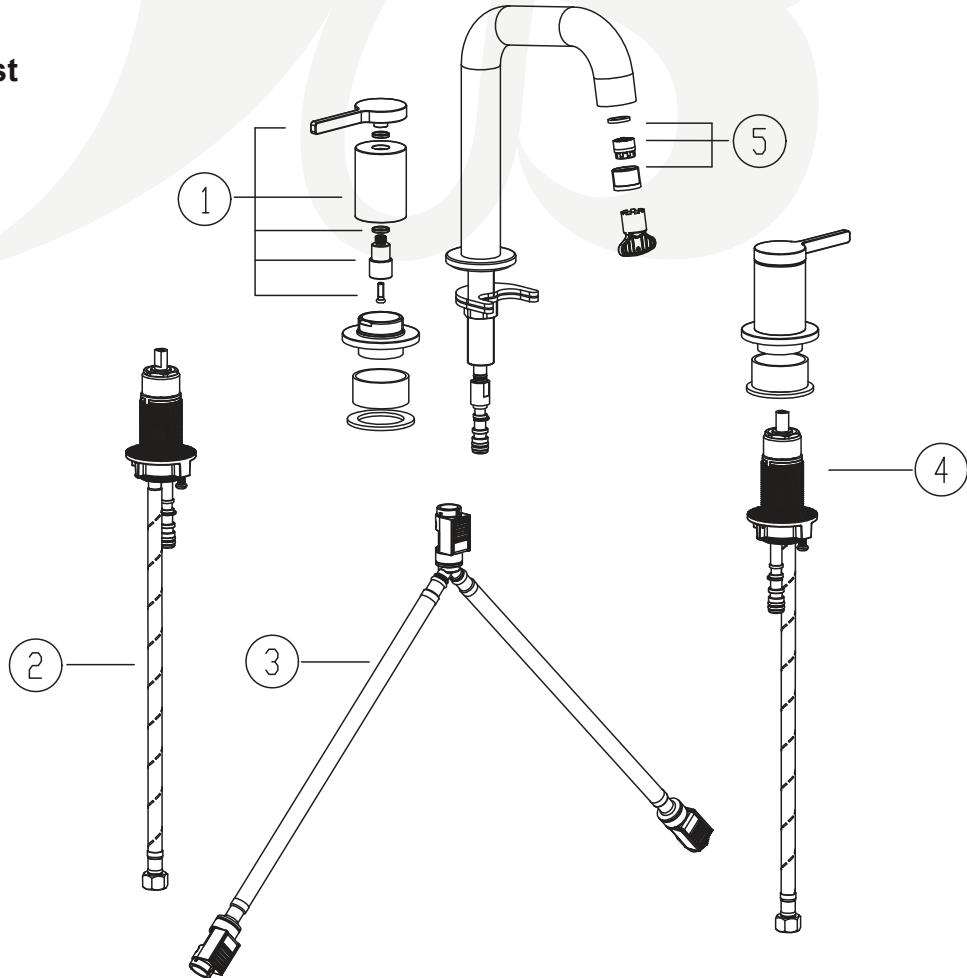


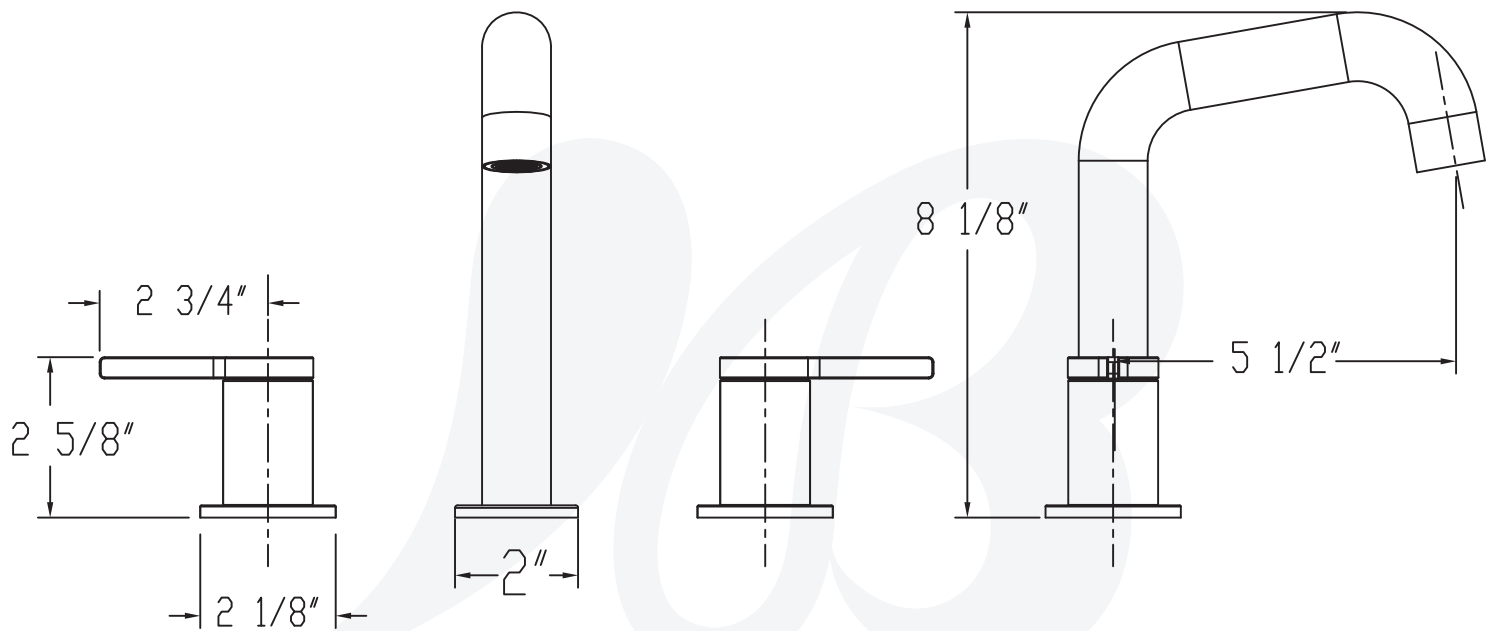
**Colors / Finishes**

- W4589901-4** Chrome
- W4589902-4** Satin Nickel
- W4589916-4** PVD Satin Brass
- W4589949-4** Matte Black

**BREAK DOWN  
Component Parts List**

NO.	Description	Qty
1	HANDLE ASSEMBLY	2
2	SHANK	1
3	HOSE	1
4	SHANK	1
5	AERATOR ASSEMBLY	1





Item Number	Type	Date
W4589901-4, W4589902-4, W4589916-4, W4589949-4	Widespread Faucet	12-18-2025