

W4423801-2, W4423829-2, W4423816-2, W4423849-2 - 4" Center Set Faucet

Description

- 4" Center set faucet
- 90° Turn washerless cartridges
- 1/2" NPS connections
- 1.2 GPM @ 60 PSI
- 50-50 Pop-up drain assembly included

Standards

- Complies with IAPMO UPC/cUPC
- California AB100 Complaint
- ADA Accessibility Guidelines for Buildings and Facilities - 427.4 Controlled Mechanisms
- CALGreen compliant
- EPA WaterSense Certified by IAPMO R&T



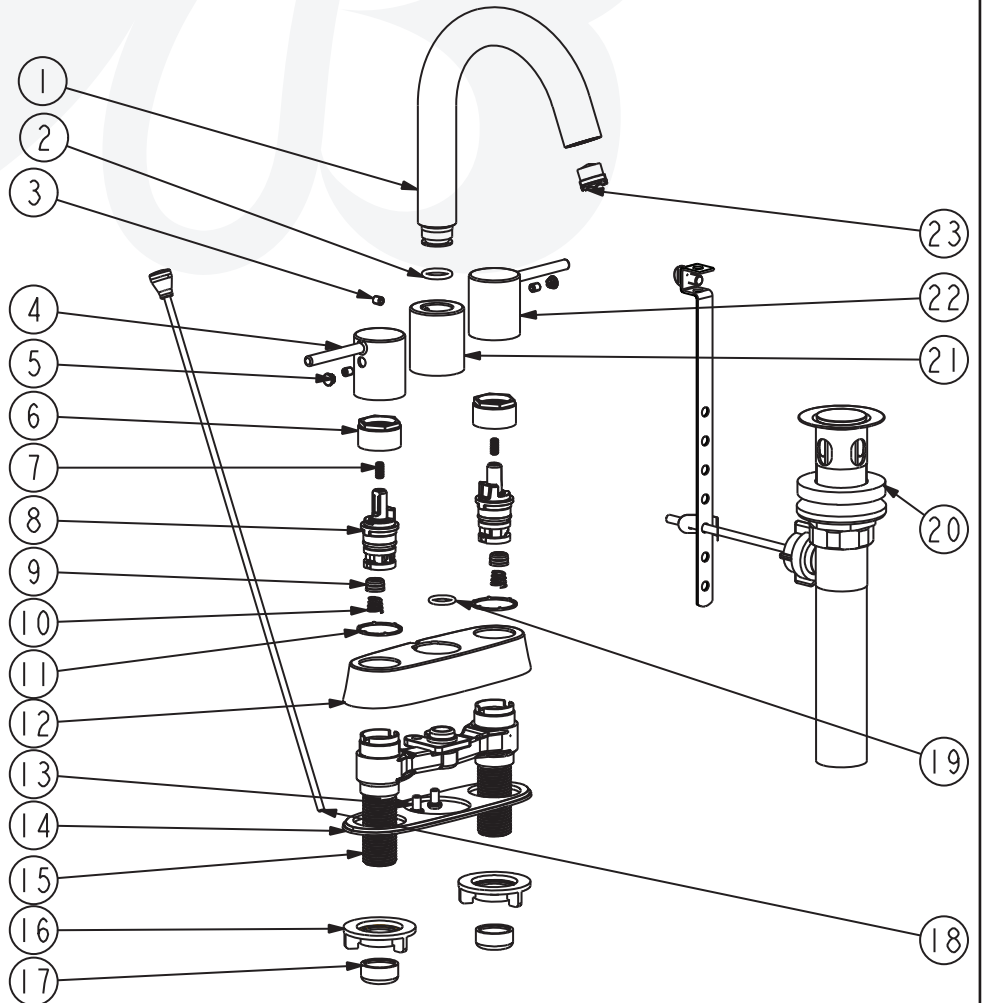
• W4423801-2

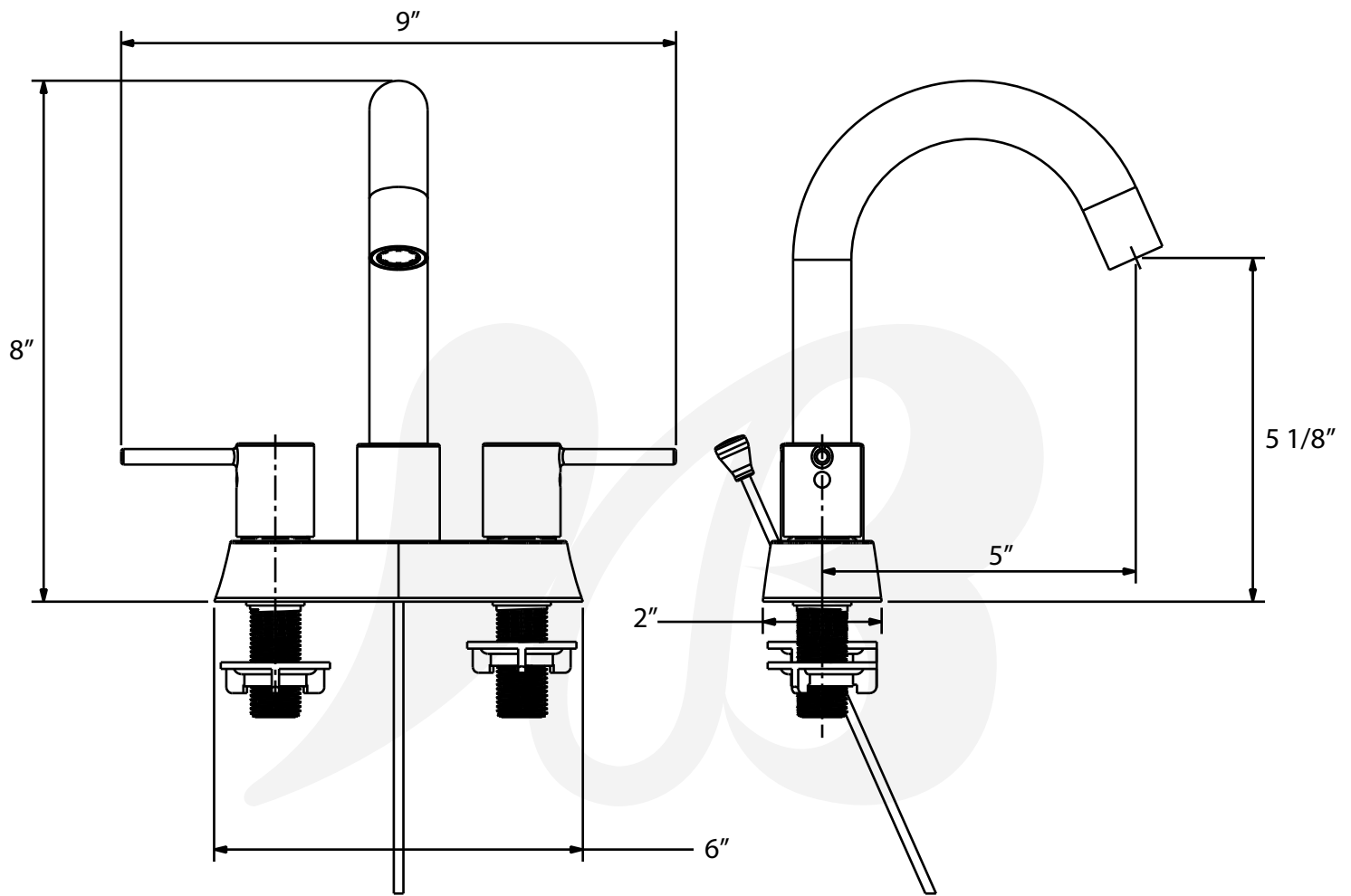
Colors / Finishes

- W4423801-2** Chrome
- W4423829-2** Satin Nickel
- W4423816-2** PVD Satin Brass
- W4423849-2** Matte Black

**BREAK DOWN
Component Parts List**

| | | |
|-----|----------|-----|
| 23 | ATBX0041 | 1 |
| 22 | CTHZ0624 | 1 |
| 21 | CTDN0079 | 1 |
| 20 | ATAA0062 | 1 |
| 19 | CTRR0095 | 1 |
| 18 | ATBM0025 | 1 |
| 17 | CTQP0023 | 2 |
| 16 | CTNP0060 | 2 |
| 15 | ATBY0188 | 1 |
| 14 | CTKP0127 | 1 |
| 13 | CTST0010 | 2 |
| 12 | CTCZ0246 | 1 |
| 11 | CTWP0075 | 2 |
| 10 | CTBT0079 | 2 |
| 9 | CTWR0304 | 2 |
| 8 | ATBA0125 | 2 |
| 7 | CTST0151 | 2 |
| 6 | CTNZ0004 | 2 |
| 5 | CTCP0072 | 2 |
| 4 | CTHZ0623 | 1 |
| 3 | CTST0117 | 3 |
| 2 | CTRR0180 | 1 |
| 1 | ATBF0219 | 1 |
| NO. | Part No | Qty |





| Item Number | Type | Date |
|--|------------|----------|
| W4423801-2, W4423829-2, W4423816-2, W4423849-2 | Center Set | 5-7-2021 |