

W3482101-4, W3482102-4, W3482116-4, W3482149-4 Single Control Lavatory Faucet

Description

- Single handle, single hole faucet
- Push style pop-up assembly
- Ceramic disc cartridge
- 1.2 GPM @ 60 PSI
- SS hoses with 3/8" compression nuts

Standards

- Complies with IAPMO UPC/cUPC
- California AB100 Complaint
- ADA Accessibility Guidelines for Buildings and Facilities - 427.4 Controlled Mechanisms
- CALGreen compliant
- EPA WaterSense Certified by IAPMO R&T



• W3482101-4

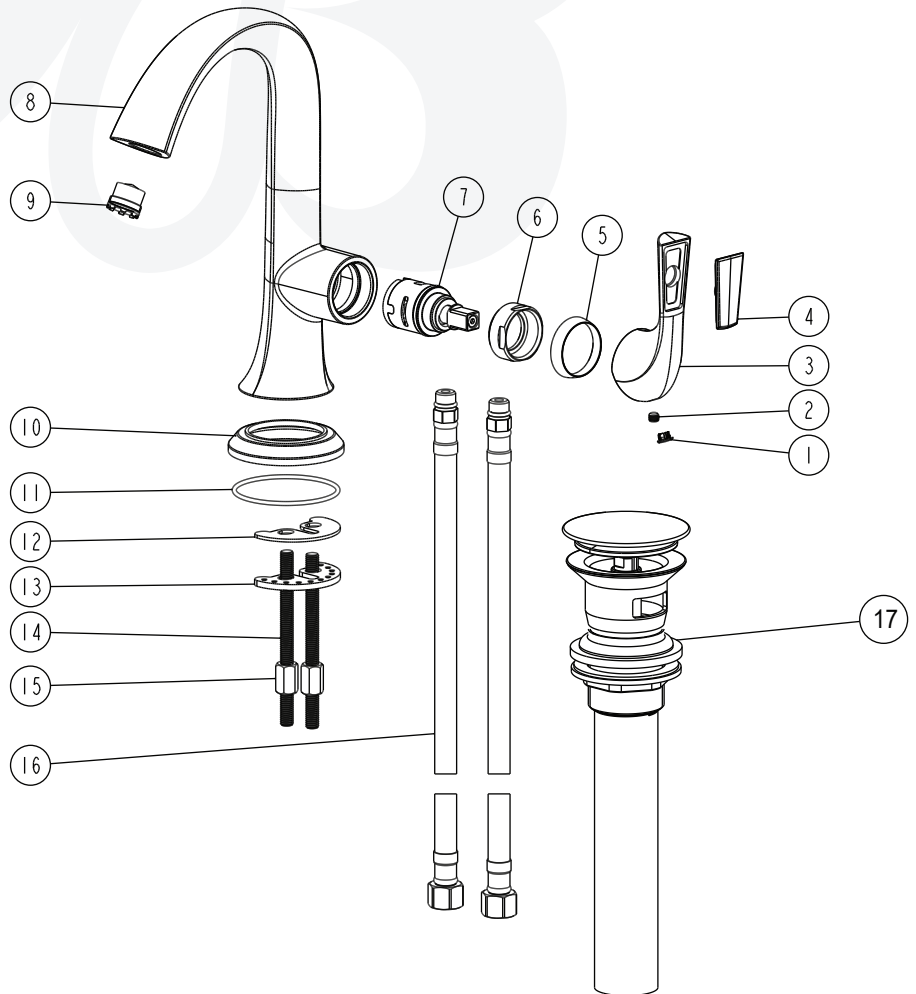


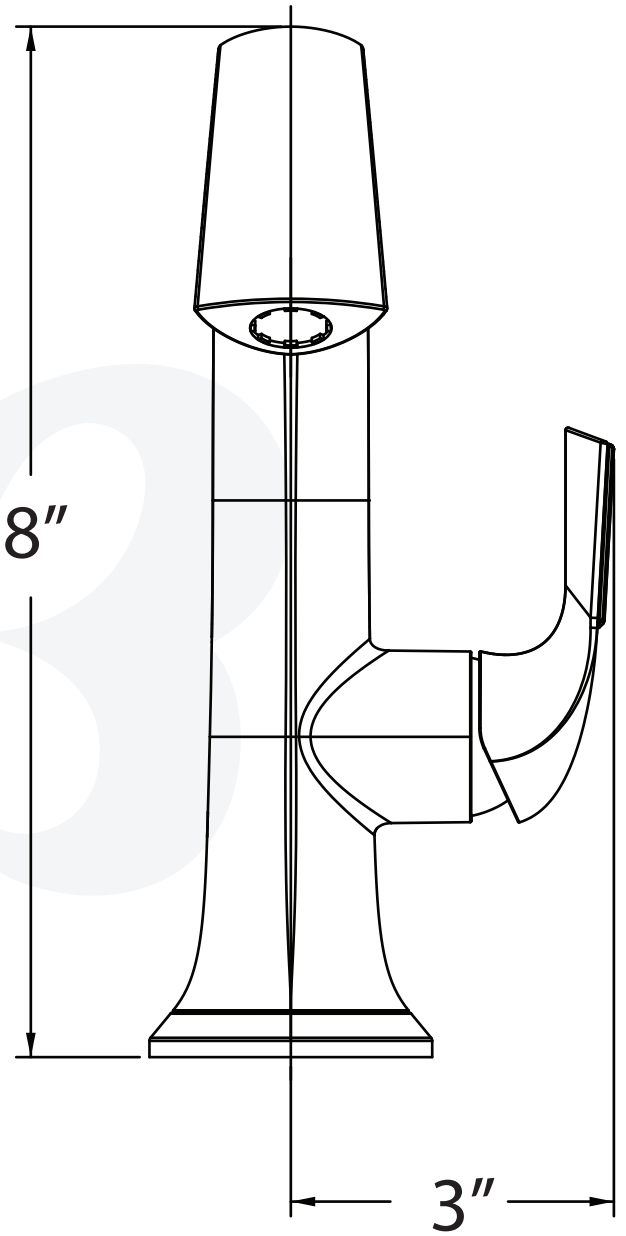
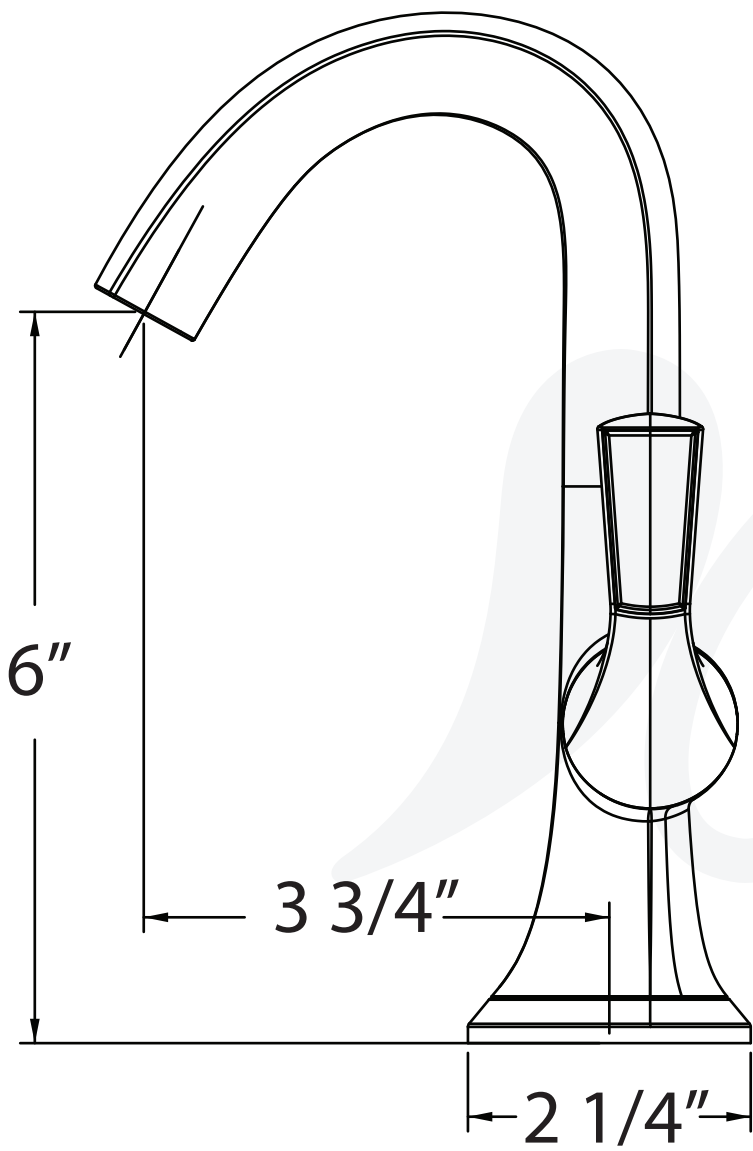
Colors / Finishes

- W3482101-4 - Chrome
- W3482102-4 - PVD Satin Nickel
- W3482116-4 - PVD Satin Brass
- W3482149-4 - Matte Black

**BREAK DOWN
Component Parts List**

17	ATAA0001	POP-UP	1
16	ATBP0422	HOSE	2
15	CTNB0321	NUT	2
14	CTST0013	SHANK	2
13	CTWT0059	WASHER	1
12	CTWR0028	PACKING	1
11	CTRR0247	O-RING	1
10	CTDZ0168	BASE SEAT	1
9	ATBX0041	AREATOR	1
8	CTYN0321	BODY	1
7	ATBA0297	CARTRIDGE	1
6	CTCB0416	BONNET	1
5	CTCB1038	COVER	1
4	CTCZ0307	HANDLE CAP	1
3	CTHZ0717	HANDLE	2
2	CTST0084	SCREW	1
1	CTCP0072	CAP	1
NO.	Drawing No.	Part Description	Quantity





Item Number	Type	Date
W3482101-1, W3482102-1, W3482116-1, W3482149-1	Single Control	3-4-2020